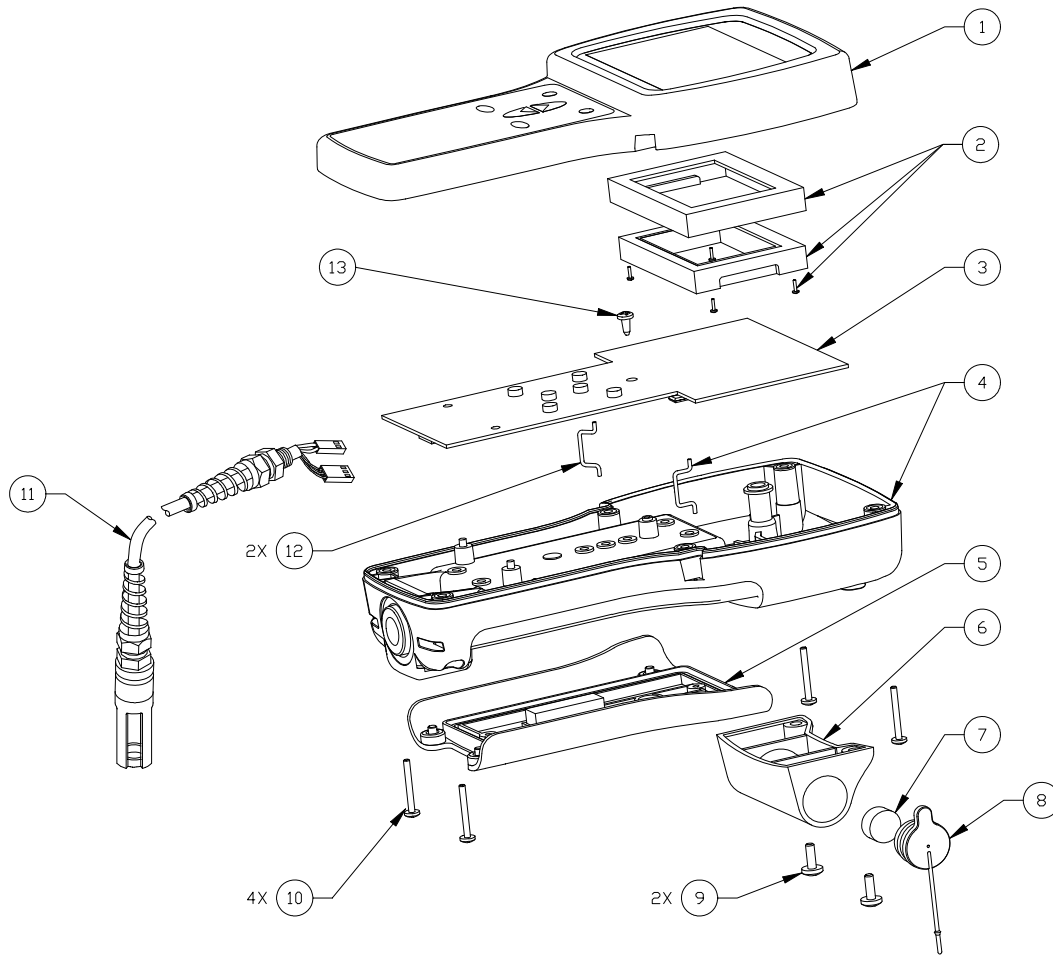


YSI Model 550A Assembly Drawing



Bubble Number	YSI Order Number	Description
1	115525	Front Cover Assembly W/Keypad
2	115524	Display Parts Kit
3	605351	PC Board Assembly W/Display
4	115521	Rear Case Assembly
5	116505	Battery Lid Assembly W/Screws
6	655148	Probe Storage Chamber
7	055219	Sponge
8	655157	Rubber Plug
9	655155	(2) ¼-20 Phillips Round Machine Screws
10	655152	(6) 6-32 x 1 Lg Pan Head Torx Screws
11	115158	Cable assembly, 12 ft
11	115159	Cable assembly, 25 ft
11	115160	Cable assembly, 50 ft
11	115161	Cable assembly, 100 ft
11	059956	Probe Guard
11	655900	Replaceable DO Module
12	655137	Handstrap Bail
13	655154	4-20 x ¼ Lg PCB Screw