

UV 701 IQ NO_x

UV 705 IQ NO_x

OPTICAL SENSOR FOR NITRATE (NO_x)



a xylem brand



For the most recent version of the manual, please visit www.yssi.com.

Contact

YSI
1725 Brannum Lane
Yellow Springs, OH 45387 USA
Tel: +1 937-767-7241
800-765-4974
Email: environmental@ysi.com
Internet: www.yssi.com

Copyright

© 2014 Xylem Inc.

UV 70x IQ NOx - Contents

1	Overview	1-1
1.1	How to use this component operating manual	1-1
1.2	Field of application	1-2
1.3	Measuring principle of the sensor UV 70x IQ NOx	1-2
1.4	Structure of the sensor UV 70x IQ NOx	1-3
2	Safety	2-1
2.1	Safety information	2-1
2.1.1	Safety information in the operating manual	2-1
2.1.2	Safety signs on the product	2-1
2.1.3	Further documents providing safety information	2-1
2.2	Safe operation	2-2
2.2.1	Authorized use	2-2
2.2.2	Requirements for safe operation	2-2
2.2.3	Unauthorized use	2-2
3	Commissioning	3-1
3.1	IQ SENSORNET system requirements	3-1
3.2	Scope of delivery of the UV 70x IQ NOx	3-1
3.3	Installation	3-2
3.3.1	Mounting the sensor	3-2
3.3.2	Mounting the shock protectors	3-4
3.3.3	Connecting the sensor to the IQ SENSORNET	3-5
3.4	Initial commissioning	3-7
3.4.1	General information	3-7
3.4.2	Settings	3-8
4	Measurement / Operation	4-1
4.1	Determination of measured values	4-1
4.2	Measuring operation	4-2
4.3	Calibration	4-3
4.3.1	Overview	4-3
4.3.2	User calibration	4-5
4.3.3	Sensor check/ <i>Zero adjustment</i>	4-8

- 5 Maintenance and cleaning 5-1**
 - 5.1 Maintenance 5-1
 - 5.2 Sensor cleaning 5-1
 - 5.2.1 Cleaning agents and accessories 5-1
 - 5.2.2 General steps to be taken 5-2
 - 5.2.3 Basic cleaning 5-3
 - 5.2.4 Cleaning the measuring gap 5-4

- 6 Spare parts, maintenance equipment, accessories 6-1**

- 7 What to do if... 7-1**

- 8 Technical data 8-1**
 - 8.1 Measurement characteristics 8-1
 - 8.2 Application characteristics 8-1
 - 8.3 General data 8-3
 - 8.4 Electrical data 8-4

- 9 Indexes 9-1**
 - 9.1 Explanation of the messages 9-1
 - 9.1.1 Error messages 9-2
 - 9.1.2 Informative messages 9-4
 - 9.2 Status info 9-5

- 10 Appendix: Glossary 10-1**

- 11 Contact Information 11-1**
 - 11.1 Ordering & Technical Support 11-1
 - 11.2 Service Information 11-1

1 Overview

1.1 How to use this component operating manual

Structure of the IQ SENSORNET operating manual

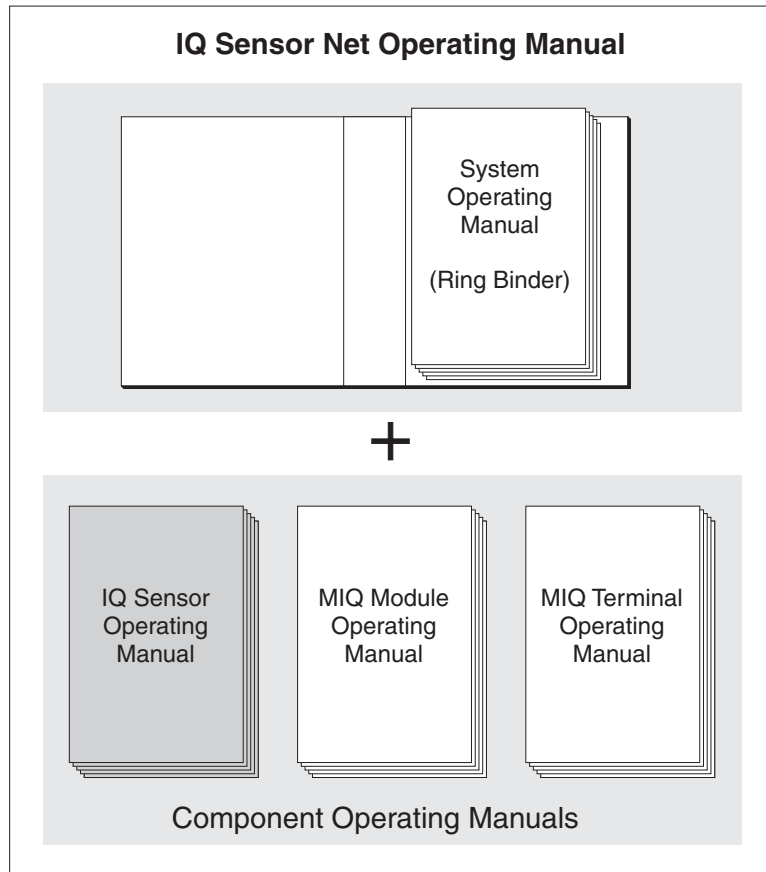


Fig. 1-1 Structure of the IQ SENSORNET operating manual

The IQ SENSORNET operating manual has a modular structure like the IQ SENSORNET itself. It consists of a system operating manual and the operating manuals of all the components used.

Please file this component operating manual into the ring binder of the system operating manual.

1.2 Field of application

The sensor UV 70x IQ NOx is an online sensor for the on-site determination of nitrate (nitrite-nitrogen is also included in the measurement result).

The range of application comprises control, feedback control and monitoring.

Measuring location

e.g. waste water treatment plants, rivers, lakes

Ultrasound cleaning system

The ultrasound cleaning system ensures low maintenance and long-term reliable measurement operation.

The ultrasound source integrated in the sensor excites the measurement windows to produce vibrations in the ultrasound range. The movement of the surface as a result of this prevents the growth of pollution in almost all cases and, thus, ensures reliable measured values during continuous operation.

Compressed air cleaning (option)

The sensor is designed to be equipped with an additional compressed air-driven cleaning system, which supports the ultrasound cleaning system as necessary.

1.3 Measuring principle of the sensor UV 70x IQ NOx

The sensor operates according to the measuring principle of spectrometry.

Any substance present in a measuring solution attenuates a light beam that penetrates the measuring solution. The attenuation (absorbance) of the light beam is measured for individual wavelengths.

The extent of the absorbance depends on the amount of the substance.

With this measuring principle, measuring does not take place continuously but at intervals.

1.4 Structure of the sensor UV 70x IQ NOx

The sensor has a light source (1), a measuring gap (3) to enable the contact of light with the measuring solution, and a detector (5) to measure the attenuated light beam.

The sender of the optical system (2) directs a light beam, the measuring beam (6), through the measuring solution and a second light beam, the reference beam (8), over a distance without measuring solution. The test sample is between both measurement windows (3) in the measuring gap.

The receiver of the optical system (4) directs the measuring beam and reference beam to the detector. In the detector, the light is received by fixed photo diodes.

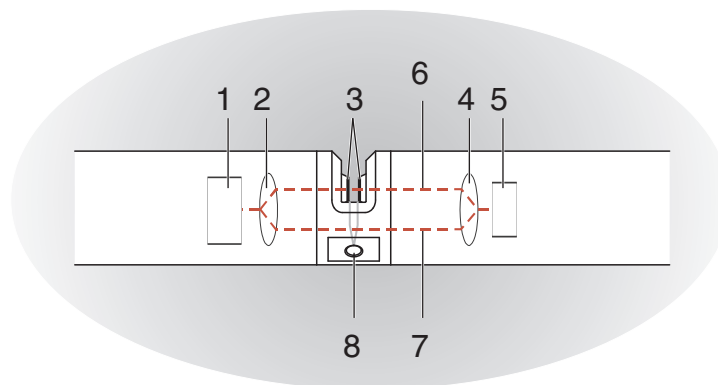


Fig. 1-2 Structure of the sensor

1	Light source
2	Sender of the optical system
3	Measuring gap between the measurement windows
4	Receiver of the optical system
5	Detector
6	Measuring beam
7	Reference beam
8	Connection for the optional compressed air cleaning system

2 Safety

2.1 Safety information

2.1.1 Safety information in the operating manual

This operating manual provides important information on the safe operation of the product. Read this operating manual thoroughly and make yourself familiar with the product before putting it into operation or working with it. The operating manual must be kept in the vicinity of the sensor so you can always find the information you need.

Important safety instructions are highlighted in this operating manual. They are indicated by the warning symbol (triangle) in the left column. The signal word (e.g. "CAUTION") indicates the level of danger:



WARNING

indicates a possibly dangerous situation that can lead to serious (irreversible) injury or death if the safety instruction is not followed.



CAUTION

indicates a possibly dangerous situation that can lead to slight (reversible) injury if the safety instruction is not followed.

NOTE

indicates a situation where goods might be damaged if the actions mentioned are not taken.

2.1.2 Safety signs on the product

Note all labels, information signs and safety symbols on the product. A warning symbol (triangle) without text refers to safety information in this operating manual.

2.1.3 Further documents providing safety information

The following documents provide additional information, which you should observe for your safety when working with the measuring system:

- Operating manuals of other components of the IQ SENSORNET system (power packs, controller, accessories)
- Safety datasheets of calibration and maintenance equipment (e.g. cleaning solutions).

2.2 Safe operation

2.2.1 Authorized use

The authorized use of the UV 70x IQ NOx consists of its use as a sensor in the IQ SENSORNET. Only the operation and running of the sensor according to the instructions and technical specifications given in this operating manual is authorized (see chapter 8 TECHNICAL DATA). Any other use is considered unauthorized.

2.2.2 Requirements for safe operation

Note the following points for safe operation:

- The product may only be operated according to the authorized use specified above.
- The product may only be supplied with power by the energy sources mentioned in this operating manual.
- The product may only be operated under the environmental conditions mentioned in this operating manual.
- The product may not be opened.

2.2.3 Unauthorized use

The product must not be put into operation if:

- it is visibly damaged (e.g. after being transported)
- it was stored under adverse conditions for a lengthy period of time (storing conditions, see chapter 8 TECHNICAL DATA).

3 Commissioning

3.1 IQ SENSORNET system requirements

Software versions of the controller and terminal components

The operation of the UV 70x IQ NOx requires the following software versions in the IQ SENSORNET:

- DIQ/S 182 Controller software: Version 3.45 or higher
- MIQ/MC2 Controller software: Version 3.37 or higher
- MIQ TC 2020 XT Controller software: Version 3.37 or higher
- IQ Software pack Software version: Version 1.00 or higher
CONNECT

For cleaning with compressed air via a relay

- MIQ/CR3 Software version: Version 2.88 or higher
- MIQ/R6 Software version: Version 2.88 or higher
- MIQ/CHV PLUS Software version: Version 2.88 or higher
- DIQ/S 182 (XT) Software version: Version 3.44 or higher

3.2 Scope of delivery of the UV 70x IQ NOx

The following parts are included in the scope of delivery:

- SensorUV 70x IQ NOx
- Sensor sleeve
- Shock protectors
- Operating manual

3.3 Installation

3.3.1 Mounting the sensor

NOTE

The sensor is an optical precision instrument that should be protected against shocks. Make sure that the distances to the wall, bottom and other installation surroundings are sufficient. If necessary, protect the sensor from hitting with the protective ring provided. Mount any fixing elements only on the stable metal shaft.

NOTE

Always make sure the surface of the enclosure is not damaged by sharp-edged objects. The enclosure of the sensor may not touch any metallic objects in order to prevent contact corrosion.

NOTE

Do not suspend the sensor on the sensor connection cable. Risk of cable break and water penetration at the cable gland.

A wide range of mounting accessories is available for the installation of the UV 70x IQ NOx (see chapter 6 SPARE PARTS, MAINTENANCE EQUIPMENT, ACCESSORIES). Thus, all prevalent ways of mounting are possible.

Generally, observe the following general rules when mounting the sensor at the measuring location:

Horizontal installation

When mounting the sensor horizontally, the measuring gap opening should be on the side. Thus, any air bubbles can escape upward after cleaning and no sediment can collect in the measuring gap. The sensor should be aligned in parallel with the flow direction.

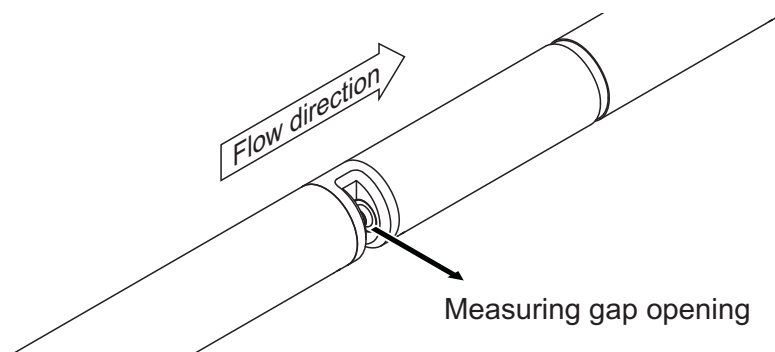


Fig. 3-1 Horizontal installation

Vertical installation

For vertical installation, mount the sensor in a position that allows interfering elements in the measuring gap to escape with the current. In the case of vertical installation, the minimum flow rate is 0.2 m/s so the measuring gap is kept clean optimally.

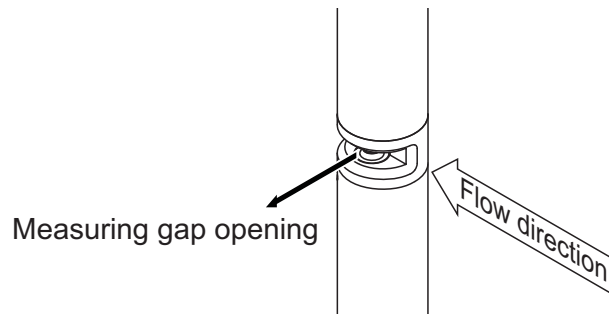


Fig. 3-2 Vertical installation

Protection against shocks

When installing the sensor, always make sure it cannot knock against a wall or another obstacle. Make sure the safety margins are sufficient (e. g. with suspended mounting). Mount the enclosed shock protectors (see section 3.3.2). Their soft rubber compound absorbs hard impacts.

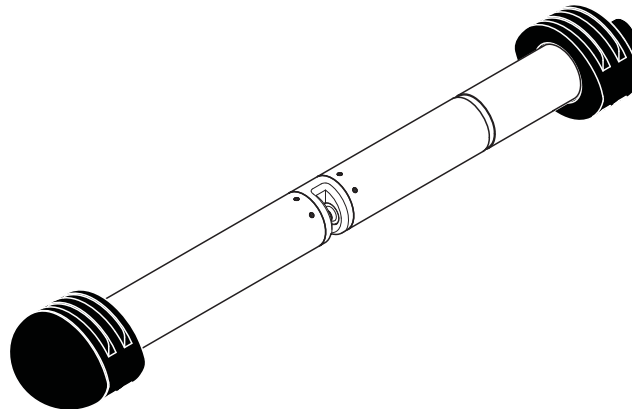


Fig. 3-3 Sensor with mounted shock protectors

3.3.2 Mounting the shock protectors

The shock protectors consist of two rings, a cap and four cable ties. To mount the shock protectors, proceed as follows:

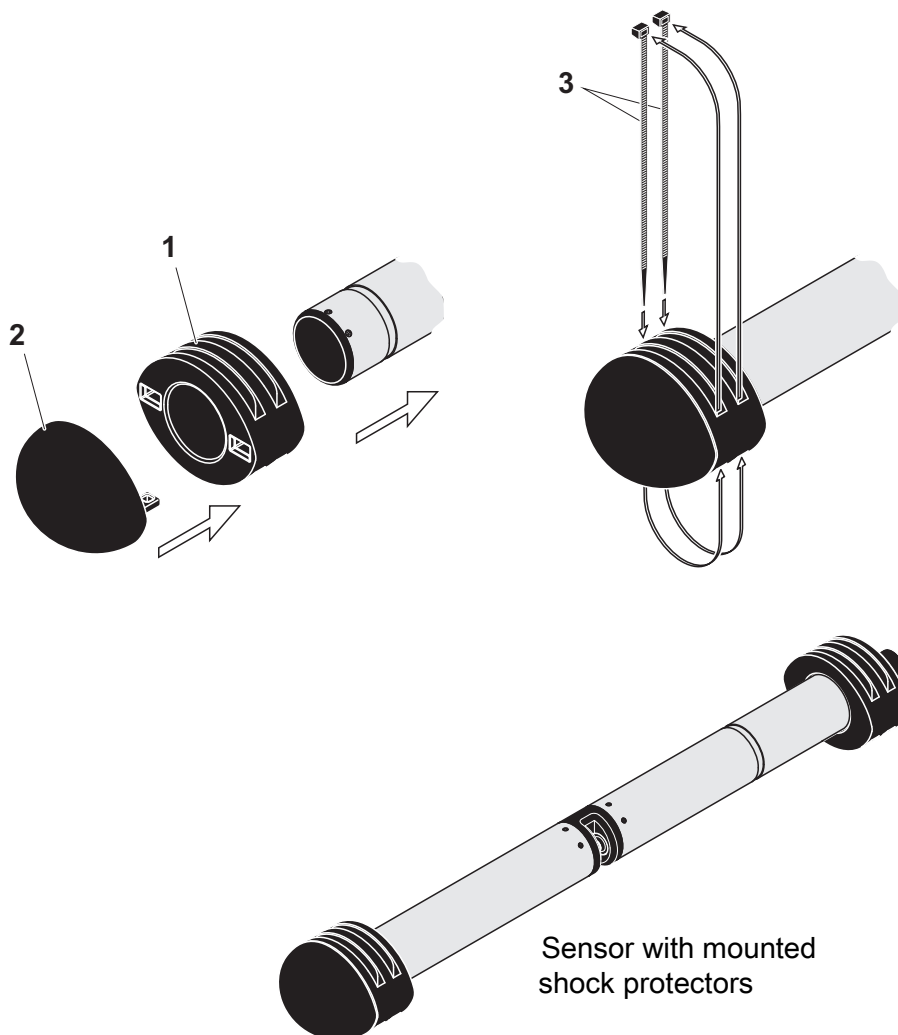


Fig. 3-4 Mounting the shock protectors

1.	Plug the cap (pos. 2 in Fig. 3-4) on one of the two rings (pos. 1).
2.	Put the assembled unit on the sensor end and fix it with 2 cable ties (pos. 3) as shown in Fig. 3-4.
3.	Put the second ring on the cable end of the sensor and fix it with the remaining two cable ties in the same way.

3.3.3 Connecting the sensor to the IQ SENSORNET

Connection cable

A sensor connection cable of the SACIQ or SACIQ SW type is required to connect the sensor. The cable is available in different lengths. Compared to the standard model SACIQ, the SACIQ SW sensor connection cable is optimized regarding its corrosion resistance in seawater and brackish water and adapted for use in conjunction with the UV 70x IQ NOx . Information on this and other IQ SENSORNET accessories is given in the YSI catalog and on the Internet.



Are the plug connections dry?

How to connect the SACIQ (SW) sensor connection cable to the terminal strip of an MIQ module is described in chapter 3 INSTALLATION of the IQ SENSORNET system operating manual.

Before connecting the sensor and sensor connection cable, please make sure the plug connections are dry. If moisture gets into the plug connections, first dry the plug connections (dab them dry or blow them dry using compressed air).

NOTE

Do not suspend the sensor on the sensor connection cable but use the suitable mounting equipment. Information on this and other IQ SENSORNET accessories is given in the YSI catalog and on the Internet.

Connecting the sensor to the sensor connection cable

- | | |
|----|--|
| 1. | Take the protective caps off the plug connections of the sensor and the SACIQ (SW) sensor connection cable and keep them safe. |
| 2. | Plug the socket of the SACIQ (SW) sensor connection cable onto the plug head connector of the sensor. At the same time, rotate the socket so that the pin in the plug head connector (1) clicks into one of the two holes in the socket. |
| 3. | Then screw the coupling ring (2) of the sensor connection cable onto the sensor up to the stop. |

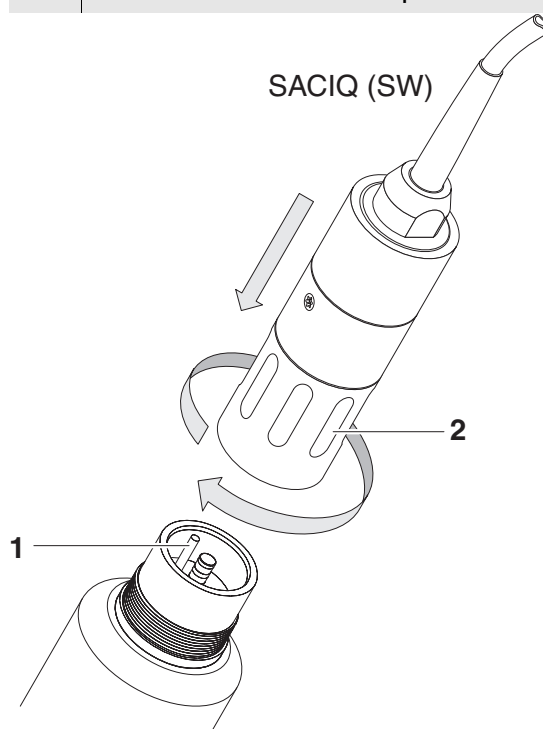


Fig. 3-5 Connect the sensor

3.4 Initial commissioning

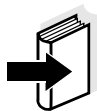
3.4.1 General information



CAUTION

Never look into the measuring window or put objects into the measuring window during operation! The emitted UV radiation can damage the eyes!

In the case of authorized use, inadvertent eye contact with the light beam is not possible.



How to adjust the settings is described in the following section (section 3.4.2).

User calibration after initial commissioning

The UV 70x IQ NOx sensor was calibrated in the factory for the parameters NO₃-N and NO₃. The sensor is immediately ready to measure.

3.4.2 Settings

Measuring cycle

A measuring cycle consists of the cleaning procedure, the adjustment time for the measuring system and the determination of the measured value. The following graphic demonstrates the relevant settings:

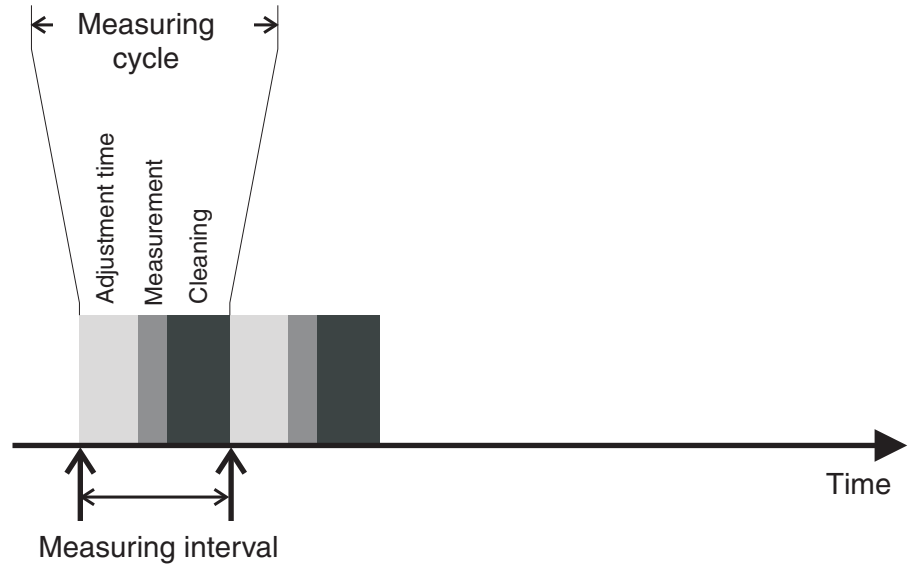


Fig. 3-6 Measuring cycle of the sensor

Carrying out settings

Using <S>, switch from the measured value display to the main menu of the settings. Then navigate to the setting menu (setting table) of the sensor. The procedure is described in detail in your IQ SENSORNET system operating manual.

Default values are marked in **bold**.

Menu item	Settings	Explanations
Measuring mode	<ul style="list-style-type: none"> ● NO3-N ● NO3 	<p>The measured parameter is displayed in the selected citation form. When changing the <i>Measuring mode</i> setting, always check the <i>Measuring location</i> setting.</p> <p><i>NO3-N</i>: The proportion of nitrogen coming from nitrate (nitrite-nitrogen is also included in the measurement result).</p> <p><i>NO3</i>: Amount of nitrate, calculated from <i>NO3-N</i> (nitrite-nitrogen is also included in the measurement result).</p>
Measuring range	-	Display of the measuring range (see chapter 8 TECHNICAL DATA).

Menu item	Settings	Explanations
<i>Cal - # raw value 1</i>	Value pairs of the user calibration (see section 4.3.2).	
<i>Cal - ref. value 1</i>		
<i>Cal - # raw value 2</i>		
<i>Cal - ref. value 2</i>		
<i>Zero adjustment</i>	Factory User	Setting of which zero adjustment is used in the sensor. <ul style="list-style-type: none"> ● Factory zero adjustment or ● Zero adjustment carried out last
<i>Signal smoothing</i>	<ul style="list-style-type: none"> ● On ● Off 	Switching on/off the signal smoothing. For details, see <i>Response time t90</i> .
<i>Response time t90</i>	10 ... 60 min	<p>Response time of the signal smoothing. Depending on the sample matrix, measured values can vary more or less strongly (e.g. due to foreign bodies or air bubbles).</p> <p>The signal filter (here, the <i>Response time t90</i>) reduces the limits of variation of the measured values.</p> <p>The <i>Response time t90</i> specifies the time after which 90 % of a signal change are displayed.</p> <p>This menu item is only available with: <i>Signal smoothing = On</i></p> <p>The specified time is used as a guide value for low (10 min) to high (60 min) signal smoothing and can deviate from the value that was set.</p>
<i>Cleaning mode</i>	<ul style="list-style-type: none"> ● On ● Off 	Switching on/off the automatic, time-controlled cleaning function.

Menu item	Settings	Explanations
<i>Cleaning type</i>	<ul style="list-style-type: none"> ● <i>Ultrasound</i> ● <i>Air</i> ● <i>Ultrasound+air</i> 	<p>Cleaning methods This menu item is only available with: <i>Cleaning mode = On</i></p> <p>The duration of the cleaning procedure is defined in the sensor for all cleaning types.</p> <p><u>Note:</u> The duration of the cleaning procedure with air can be adjusted for the linked relay in the menu, <i>Settings of outputs and links / Relay function / Sensorgesteuert / Pulsdauer</i>. Please note the software requirements for the MIQ/CR3, MIQ/R6, MIQ/CHVP-lus, DIQ/S 182 relays (see section 3.1).</p>
<i>Save and quit</i>	-	The system confirms the saving of the settings and the display switches to the next higher level.
<i>Quit</i>	-	The display switches to the next higher level without storing the new settings.

4 Measurement / Operation

4.1 Determination of measured values

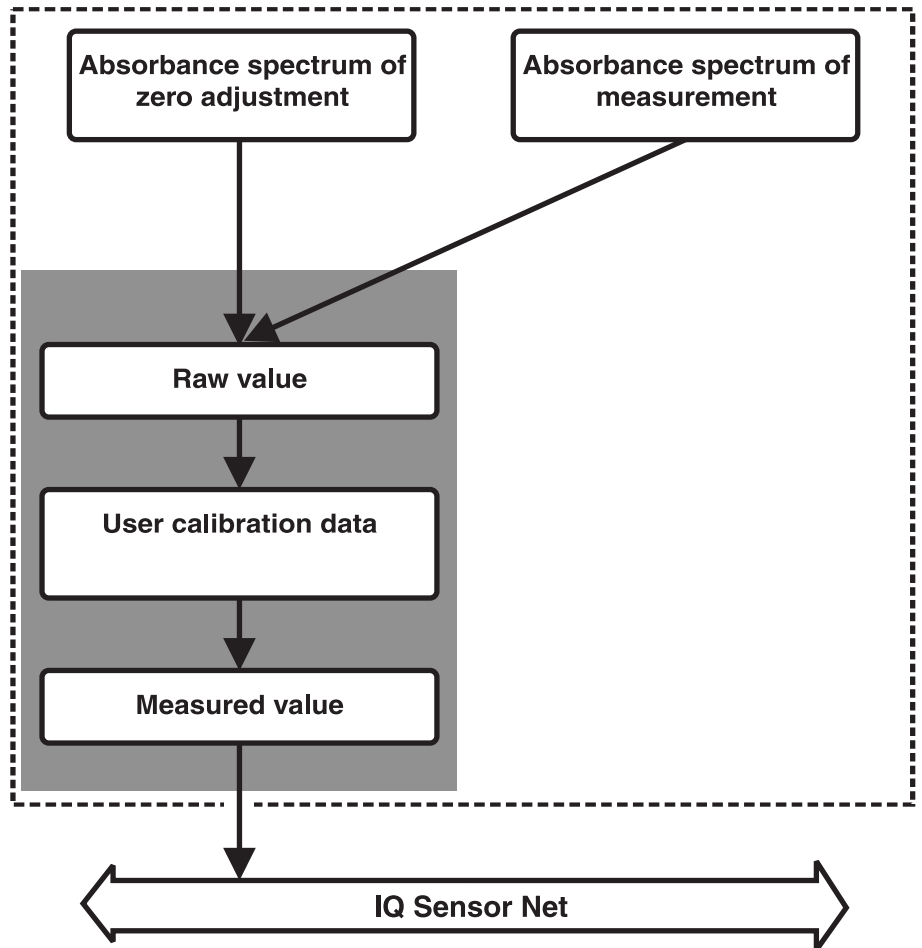


Fig. 4-1 Determination of measured values

4.2 Measuring operation



CAUTION

Never look into the measuring window or put objects into the measuring window during operation! The emitted UV radiation can damage the eyes!

In the case of authorized use, inadvertent eye contact with the light beam is not possible.

Measured value display

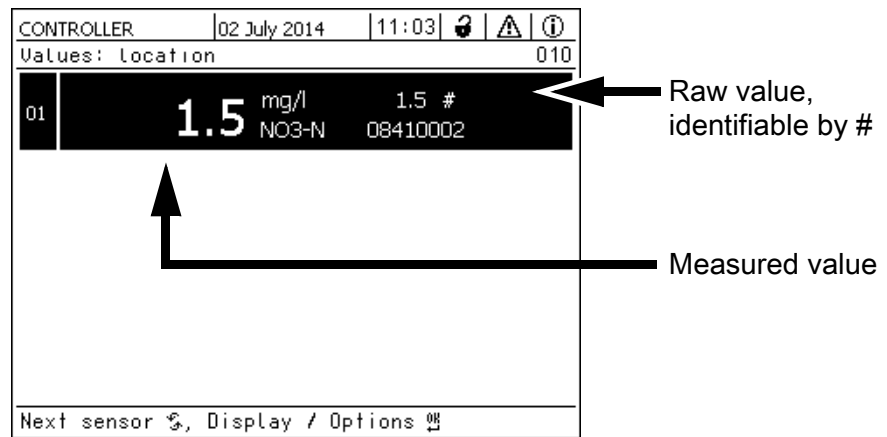


Fig. 4-2 UV 70x IQ NOxIn the measured value display

Factors affecting the measured values

The following factors can adversely affect the measurement quality:

- The measuring gap is not sufficiently filled and flowed through by the test sample
- Foreign bodies and air bubbles are in the measuring gap
- Extraordinary changes (interferences) of the sample matrix
- Contaminated measurement windows due to difficult waste water matrix
- Damaged measuring windows
- Lacking quality of the zero adjustment, e. g. due to contaminated ultrapure water
- The user calibration is not representative (or erroneous)

4.3 Calibration

4.3.1 Overview

In the delivery condition, the sensor is precalibrated and ready to measure (see section 3.4.1).

There are two types of calibration that are included into the calculation of the measured value at different points (see section 4.1):

- User calibration (see section 4.3.2)
- Sensor check/*Zero adjustment* (see section 4.3.3).

An overview diagram of the calibration procedures can be found on page 4 - 9.

User calibration

Due to the measuring principle, no user calibration is required for the parameters NOx (*NO3-N*, *NO3-* - see chapter 10 APPENDIX: GLOSSARY). If implausible measured values occur, a user calibration with reference values may be useful, depending on the cause (see chapter 7 WHAT TO DO IF...).

Recalibrating after changing the measuring location



Each time after the application or measurement location was changed, we recommend to carry out a *Zero adjustment* (and, if the *Sensor check (H2O dest.)* was not successful, also a *Zero adjustment* with user calibration if necessary).



The data of the user calibration are stored in the IQ SENSORNET controller and thus assigned to the measuring location (not to the sensor). The calibration data of the *Zero adjustment* are stored in the sensor.

Sensor check (H2O dest.)

The characteristics of a sensor and thus the measured values provided by it change in the course of time.

The reasons for this can be the aging of the sensor, or contamination or mechanical damage of the sensor. Contamination or mechanical damage in the area of the measuring chamber or on the measurement windows affect the measured values.



In spectroscopy, even very small contamination that is not visible to the eye can considerably affect the measured value.

The proper and thorough cleaning of the sensor is the basis for reliable measurement data.

A *Sensor check (H2O dest.)* determines the condition of the sensor. By checking the sensor with the aid of the *Sensor check (H2O dest.)* you

can rapidly see any changes of the sensor and whether it needs to be cleaned or if any other actions have to be taken.

A *Sensor check (H2O dest.)* should be carried out twice per year at regular intervals. An extraordinary *Sensor check (H2O dest.)* should be carried out if you suspect that the sensor has been damaged such as by mechanical shock, or if the measured values do not seem plausible.

Zero adjustment

While the *Sensor check (H2O dest.)* just determines the current state of the sensor, a *Zero adjustment* can be used to compensate for changes of the sensor. A zero adjustment can be required if, for example, the *Sensor check (H2O dest.)* is not successful even after the sensor was thoroughly cleaned.



The sensor should always be very thoroughly cleaned prior to a zero adjustment.

If the *Zero adjustment* is not successful, the sensor is blocked for measurement. A successful *Zero adjustment* is required for the determination of measured values.

Sensor check (standard)

Use the *Sensor check (standard)* to check the sensor with a standard solution (see chapter 6 SPARE PARTS, MAINTENANCE EQUIPMENT, ACCESSORIES).

4.3.2 User calibration

Calibration points and value pairs

The adjustment is carried out at one or two points within the measuring range. A value pair is determined at each point. Each value pair consists of the raw value of the UV 70x IQ NOx sensor and the corresponding reference value.

Each value pair has to be determined at the same time and place as the test sample as possible. At the time of the calibration, the test sample should be in a condition that is typical of the application.

Selection of calibration points

If the required accuracy is low, the default setting of the first value pair can be adopted unchanged. The first value pair is equivalent to the zero point in this case. The second value pair should be close to the working point of the application. This method results in a single-point calibration.

If the application has to cover a wide value range with high measuring accuracy, both value pairs should be used for calibration. When doing so, the calibration value pairs should be determined and input at the limits of the application range as possible.

You obtain samples of different concentrations e. g. by taking two samples during clearly different conditions of the plant (dry period and rain period).



The measurement results will be ever more accurate the closer the composition of the test sample corresponds to the status at the time of the calibration. If there is a fundamental change of the characteristics of the sample, a new calibration may be necessary.

Storage location of user calibration data

The calibration data of the user calibration are stored in the IQ Sensor Net controller. They are loaded into the sensor during operation and automatically assigned to the replacement sensor if the sensor is exchanged.

Performing a user calibration



Proceed as follows if you want to perform a user calibration:

In the *Settings of sensors and diff. sensors* menu, set the *Signal smoothing* setting to *Off*.
Subsequently, leave the menu with *Save and quit*.



How to navigate to the *Settings of sensors and diff. sensors* menu and the operation of the menu is described in section 3.4.2.

1.	Bring the sensor into the measuring position.
2.	Switch to the measured value display with <M> .
3.	Wait for a measurement, read the raw value (without dimension) and note it down. In the case of fluctuating values, observe several measuring cycles and average the individual raw values.
4.	Take a sample at the same time as the measurement and as close to the sensor as possible.
5.	Determine the reference value and note it down as a value pair together with the raw value.
6.	For a two-point calibration: Determine the second value pair (step 4 to step 6).



At least one value pair and a maximum of two value pairs can be entered for a valid calibration. The values must be in ascending order. If they are not in ascending order, a calibration error will occur.

7.	Sort the values pairs in ascending order.
8.	In the <i>Settings of sensors and diff. sensors</i> menu, enter the value pair or pairs (see the following table).



The entry of calibration values outside the measuring range leads to a calibration error.



Default values are marked in bold.

Menu item	Settings	Explanations
<i>Cal - # raw value 1</i>	0,00 ... 000,00	Raw value of the first value pair (lower concentration). For single-point calibration, enter 0.
<i>Cal - ref. value 1</i>	0,00 ... 000,00	Reference value of the first value pair (lower concentration). For single-point calibration, enter 0.
<i>Cal - # raw value 2</i>	0,00 ... 10,00 ... 000,00	Raw value of the second value pair (higher concentration) or raw value of the single-point calibration.
<i>Cal - ref. value 2</i>	0,00 ... 10,00 ... 000,00	Reference value of the second value pair (higher concentration) or reference value of the single-point calibration.

Calibration evaluation

The entered calibration data are checked for plausibility by the system. The check can have the following results:

Display	Meaning/actions
Measured value display	Successful new valid calibration value pairs were entered for the sensor.
"----"	Calibration value pairs not accepted. Sensor is blocked for measurement. A log book message is generated. Causes: <ul style="list-style-type: none"> ● Ascending order not observed. ● At least one value is outside the measuring range.



Information on the contents and structure of the log book and how you can call it up is given in the LOG BOOK chapter of the IQ SENSORNET system operating manual.



The user calibration is not recorded in the calibration history. You can, however, view the current value pairs in the *Settings of sensors and diff. sensors* menu at any time.

4.3.3 Sensor check/*Zero adjustment*

NOTE

The sensor check or Zero adjustment must be carried out under absolutely clean conditions. If you do not work carefully enough the Zero adjustment can deteriorate the measuring quality.

Ultrapure water (H₂O dist.)

As ultrapure water exclusively use distilled or deionized water that is suitable for analysis purposes.

Storage location of the *Zero adjustment* data

The data of the sensor checks are not stored.
The data of the user zero adjustment are stored in the sensor.

Outlet

A successful *Sensor check (H₂O dest.)* is the prerequisite for a valid user calibration. After each *Sensor check (H₂O dest.)* the sensor is evaluated.
A changed sensor evaluation proves that the cleaning was effective.

The steps of the sensor check or *Zero adjustment* are identical except for the used check solutions (ultrapure water or standard solution) and are described together below. The sensor check and *Zero adjustment* are carried out with the aid of the sensor sleeve.

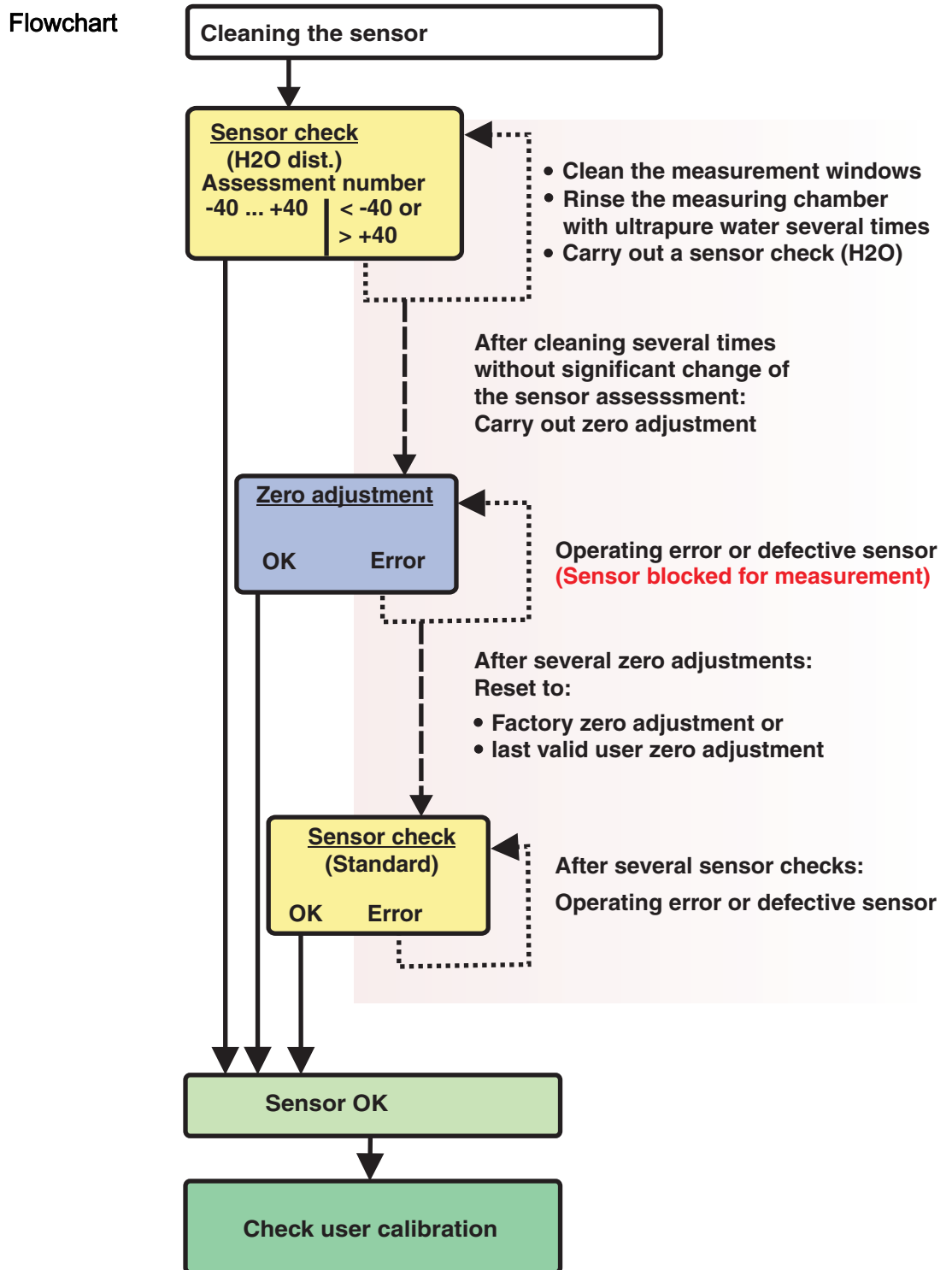


Fig. 4-3 Overview of Sensortest/Zero adjustment and user calibration.

Preparing the sensor check or *Zero adjustment*

Prepare the sensor check or *Zero adjustment* as follows:

1.	Switch to the measured value display with <M>.
2.	Use <▲▼◀▶> to select the UV 70x IQ NOx sensor.
3.	Call up calibration with <C>. The <i>Maintenance condition: Linked outputs are frozen.</i> window appears.

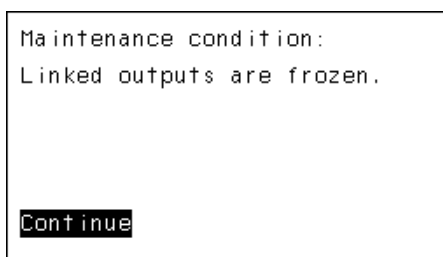


Fig. 4-4 Maintenance condition



By activating the maintenance condition, linked outputs remain in their present state. The cleaning and the determination of measured values are switched off. The measured value display shows a flashing, invalid measured value ("----").

4.	Confirm the maintenance condition with <OK>.
5.	Take the sensor out of the test sample.
6.	Remove the blind plug or unscrew the compressed air connection from the sensor.
7.	Thoroughly clean the sensor enclosure, sensor sleeve and the compressed air channels (see section 5.1 MAINTENANCE). To finish the cleaning procedure, thoroughly rinse the entire sensor with ultrapure water.
8.	Mount the cleaned sensor sleeve: <ul style="list-style-type: none"> ● Loosen both coupling rings on the sensor sleeve. ● Put the sensor sleeve on the sensor and align it: <ul style="list-style-type: none"> – The measuring gap is in the center of the sensor sleeve – The filling opening of the sensor sleeve and the measuring gap opening of the sensor are offset by 90°. ● Tighten both coupling rings on the sensor sleeve by hand.

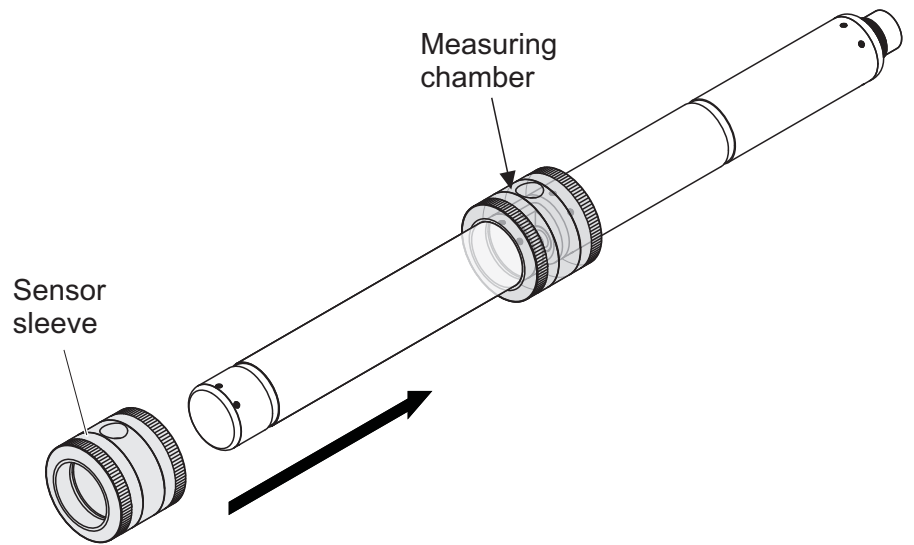


Fig. 4-5 Putting the sensor sleeve on the sensor

9.	Put the sensor in a horizontal position on a firm and vibration-free surface. Turn the filling opening of the sensor sleeve upward (Fig. 4-5).
10.	Rinse the measuring chamber with ultrapure water at least 3 times.
11.	<ul style="list-style-type: none"> ● For <i>Sensor check (H2O dest.)</i> or <i>Zero adjustment</i>: Fill the measuring chamber with ultrapure water. or ● For <i>Sensor check (standard)</i>: Fill the measuring chamber with standard solution (see section 6).
12.	If there are any air bubbles on the measuring windows remove them by gently knocking on the sensor sleeve with a bar.



Carry out the intended sensor check or *Zero adjustment* directly after filling the sensor sleeve. If you wait longer, the result of the Sensor check/*Zero adjustment* will be affected.

Carrying out the sensor check or *Zero adjustment*

13.	Select the required option with <▲▼◀▶> and <OK>: <ul style="list-style-type: none"> ● <i>Sensor check (H2O dest.)</i> ● <i>Zero adjustment</i> ● <i>Sensor check (standard)</i>
14.	Confirm with <OK>. A multipart checklist appears. Use it to check once more whether all preparations have been completed.

- 15. Confirm each checklist with <OK> until the *Start measurement* display appears.



Up to this point, you can break off the calibration procedure at any time with the <ESC> key. The system continues to work with the old calibration data. The maintenance condition, however, has to be switched off again in any case.

After starting the calibration with the <OK> key (step 16.) you can no longer cancel the calibration procedure.

- 16. Confirm with <OK>. The measurement is started. After the end of the measurement the result appears. With the *Zero adjustment*, the result is entered in the calibration history at the same time.

**Result after Sensor check
(H2O dest.)**

Rating number	Meaning
Zero range (-40 ... +40)	<i>Sensor check (H2O dest.)</i> successful (OK) (0 = no deviation)
Positive number (+40 ... +1000)	Measured values were too low. <u>Possible cause:</u> The measurement windows are contaminated.
Negative number (-40 ...-1000)	Measured values were too high. <u>Possible cause:</u> During the last zero adjustment, the measurement windows were contaminated more than during the current sensor check.

If the rating number is not in the zero range:
Repeat the cleaning procedure and the *Sensor check (H2O dest.)* until the rating number no longer changes significantly.
If the rating number is still outside the zero range, a new zero adjustment is necessary.

Result after Zero adjustment

Result	Meaning	Sensor released for measurement
OK	<i>Zero adjustment</i> successful.	yes
Error	<i>Zero adjustment</i> not successful.	No ("----")

If the result is erroneous, clean the sensor and all equipment once again. Then carry out a new *Zero adjustment* and when doing so make sure the conditions are absolutely clean.



If no valid zero adjustment is possible under the current conditions, you can restore the readiness for measurement by measuring with an older valid zero adjustment.

To do so, select the *Zero adjustment* setting in the sensor settings *Factory* (factory zero adjustment) or *User* (last valid user zero adjustment).

Then check the measurement results with a *Sensor check (standard)*. Suitable standards (check equipment) for your sensor are available as accessories (see chapter 6).

Result after *Sensor check (standard)*

Result	Meaning
<i>OK</i>	<i>Sensor check (standard)</i> successful.
<i>Error</i>	<i>Sensor check (standard)</i> not successful. <u>Possible cause</u> : wrong or expired standard

Completing the sensor check or *Zero adjustment*

After a successful sensor check or *Zero adjustment*, return to measurement as follows:

17. Confirm the calibration result with **<OK>**.
18. Confirm the message, "*After successful cal ...*" with **<OK>**. The display returns to the measured value display. The measured value flashes because the sensor is still in the maintenance condition.
19. Pour away the ultrapure water or standard solution and remove the sensor sleeve.
20. Screw in the blind plug or compressed air connector and install the sensor at the measuring site.
21. After the *Sensor check (standard)*: Thoroughly rinse the sensor and sensor sleeve with ultrapure water.
22. UV 70x IQ NOx Switch off the maintenance condition (use **<▲▼◀▶>** to select the sensor, press **<OK>** and make the setting in the *Anzeige/Optionen* menu).
23. Switch to the measured value display with **<M>**. The measured value stops flashing.



Store the sensor sleeve in a clean environment, e. g. in a plastic bag, until the next sensor check or *Zero adjustment*.

5 Maintenance and cleaning

5.1 Maintenance

The UV 70x IQ NOx sensor operates maintenance-free.

5.2 Sensor cleaning

5.2.1 Cleaning agents and accessories

Cleaning agents

To clean the sensor, use the following cleaning agents only:

Contamination	Cleaning agents
Water-soluble substances	<ul style="list-style-type: none"> - Primary cleaning: Tapwater, warm if possible (30 - 50 °C) - Precision cleaning: Household washing-up liquid + ultrapure water.
Lime deposits	5 % hydrochloric acid *
Grease deposits	Mixture of isopropanol and water (approx. 70 % isopropanol) *

* For the final cleaning prior to a *Sensor check* or *Zero adjustment*, only use cleaning agents with purity grade "for analysis". Finally, thoroughly rinse the sensor with ultrapure water.

Accessories

- Sponge
- Plastic-bristled brushes of different sizes.
Interdental brushes are suitable for the cleaning of the compressed air channels.
- Flocked cleaning cards (see accessories)
- Lens tissues
- Wash bottle

NOTE

Never use any pressure washer, steam blaster, abrasives or metal brushes to clean the sensor. Risk of damaging the sensor.

5.2.2 General steps to be taken

Depending on the application site and the level of contamination of the sensor as well as the coming job, the cleaning procedure includes the following parts:

- Every cleaning procedure starts with a basic cleaning. It removes tough grime such as incrustation of fouling matter, algae and biological deposits. If the sensor surface might be contaminated with pathogenic germs it should also be disinfected.
- Cleaning the measuring gap: Removal of lime deposits.
- Cleaning the measuring gap: Removal of grease deposits.

Example 1

A heavily contaminated sensor from the inlet of a waste water treatment plant, for which a *Sensor check* or *Zero adjustment* should be carried out, must run through all cleaning steps properly. During the cleaning process always keep all surfaces moist to prevent already dissolved contamination and detergents from drying ("working wet-on-wet"). Finally, thoroughly rinse off all remaining cleaning agents with ultrapure water.

Example 2

If the sensor from example 1 should be cleaned on site during a routine visual inspection and should then continue measuring, a basic cleaning might possibly be sufficient.



The quoted examples and the following descriptions are intended to give a general guideline. Due to the sensor's wide range of application, the type and level of contamination can considerably vary. Therefore, the cleaning procedure has to be individually composed. If necessary, individual cleaning steps have to be changed or repeated several times until the result meets the requirements.

5.2.3 Basic cleaning

Steps of the basic cleaning

1.	Take the sensor out of the test sample and remove any solid matter deposits and incrustation of fouling matter manually with a brush or sponge.
2.	Wash the sensor down with warm tapwater (30 - 50 °C). <u>Note:</u> Do not use a pressure washer or steam blaster.
3.	If the sensor might be contaminated with pathogenic germs it should be disinfected with a surface disinfectant. This also applies to the cable and mounting parts. <u>Note:</u> Follow the instruction manual of the disinfectant (reaction time!).
4.	Remove the blind plug or unscrew the compressed air connection from the sensor.
5.	Clean the sensor with soapy water. When doing so, clean the area of the measuring gap and the compressed air channels very thoroughly. The compressed air channels can be cleaned with the aid of interdental brushes and rinsed with soapy water from a wash bottle.
6.	Soak the flocked cleaning cards with soapy water and use them to clean the measuring gap as shown in the following figure. Cut suitable strips off the cleaning card to clean the bottom of the measuring gap. Then rinse the sensor with running warm tapwater and finally with a lot of ultrapure water.
7.	Finally wipe the measurement window with a lens tissue.

After completing the cleaning procedure, screw in the blind plug or compressed air connection.

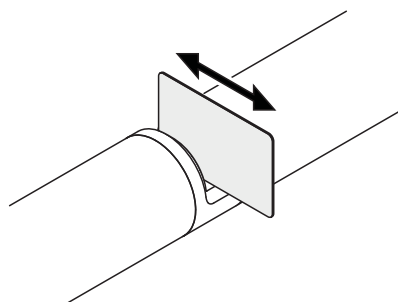
5.2.4 Cleaning the measuring gap

To remove lime or grease deposits, use the flocked cleaning cards together with the following detergents:

Contamination	Cleaning agents
Lime deposits	Hydrochloric acid 5 % for analysis
Grease deposits	Mixture of isopropanol and water (approx. 70 % isopropanol), made of 7 volume parts isopropanol for analysis and 3 volume parts ultrapure water

Proceeding

- Start by removing any lime deposits.
- Soak a flocked cleaning card with the relevant detergent and use it to clean the measuring windows according to step 6. in section 5.2.3 BASIC CLEANING. If necessary, leave the cleaning card in the measuring gap for a few minutes so the detergent can take effect.



- Thoroughly rinse with ultrapure water the measuring gap and the surrounding areas moistened with detergent.
- Then wipe the measurement window with a lens tissue. The surface of the measurement windows must be free of streaks.
- Protect the cleaned sensor against new contamination.

6 Spare parts, maintenance equipment, accessories

General accessories, replacement parts	Description	Model	Order no.
	Calibration sleeve	VIS/CV	481 074Y
	20 flocked cleaning cards for cleaning the measuring gap	VIS/CT	481 071Y
	Cleaning set: – 20 flocked cleaning cards – Cleaning solutions	VIS C/SET	481 079Y
Test equipment	Description	Model	Order no.
	Standard 1 with low concentration for 5 mm UVVIS/SAC/NOx sensors	ST-1	481 077Y
	Standard 2 with high concentration for 1 mm UVVIS/SAC/NOx sensors	ST-2	481 078Y
Components for the optional compressed air cleaning system	Description	Model	Order no.
	Compressed air cleaning set with 15 m compressed-air hose, to be connected to a valve module or Cleaning Air Box	SET/AP	481 075Y
	Active valve module (does not require a free relay output in the IQ SENSORNET system)	MIQ/CHV PLUS	480 018Y
	Valve module for the IQ SENSORNET system 182 (external relay and compressed air supply)	DIQ/CHV	472 007Y
	Air compressor to be triggered by relay, power supply 115 V AC	Cleaning Air Box - 115 VAC	480 017Y
	Air compressor to be triggered by relay, power supply 230 V AC	Cleaning Air Box - 230 VAC	480 019Y

Mounting accessories

Description	Model	Order no.
Mounting set for horizontal installation with EH/F 170 swing mounting assembly	VIS Set/EH	481 073Y
Set for the mounting of UVVIS/SAC/NOx sensors to the S 200 electrode floater	VIS Set/F	481 080Y
Flow-through armature	VIS FT-1	480 080Y



Information on other IQ SENSOR NET accessories is given in the YSI catalog and on the Internet.

7 What to do if...

"----" display (invalid measured value)

Cause	Remedy
<ul style="list-style-type: none"> – User calibration values entered incorrectly – * <i>Sensor check (H2O dest.)</i> or * <i>Zero adjustment</i> or * <i>Sensor check (standard)</i> defective 	<ul style="list-style-type: none"> – Correct the entry and enter once again (section 4.3.2) – Repeat * <i>Sensor check (H2O dest.)</i> or * <i>Zero adjustment</i> or * <i>Sensor check (standard)</i>. Check conditions, especially cleanliness (section 4.3.3)
<ul style="list-style-type: none"> – <i>Zero adjustment</i> still erroneous after several trials 	<ul style="list-style-type: none"> – Contact YSI
<ul style="list-style-type: none"> – Unknown 	<ul style="list-style-type: none"> – See log book

Implausible measured values

Cause	Remedy
<ul style="list-style-type: none"> – Erroneous user calibration 	<ul style="list-style-type: none"> – Repeat user calibration. Make sure the samples for comparison are representative.
<ul style="list-style-type: none"> – Substantial change of test sample (sample matrix) 	<ul style="list-style-type: none"> – Carry out new user calibration
<ul style="list-style-type: none"> – Measurement windows dirty 	<ul style="list-style-type: none"> – Clean the measurement windows
<ul style="list-style-type: none"> – Sensor setting wrong 	<ul style="list-style-type: none"> – Check and, if necessary, correct the <i>Measuring mode</i>, <i>Measuring location</i> sensor settings – Carry out new user calibration
<ul style="list-style-type: none"> – Optical system maladjusted, e. g. due to inadmissible mechanical shock 	<ul style="list-style-type: none"> – Carry out * <i>Sensor check (H2O dest.)</i> or * <i>Zero adjustment</i> or * <i>Sensor check (standard)</i>

Drifting measured values

Cause	Remedy
<ul style="list-style-type: none"> - Cleaning efficiency too low - measurement windows becoming more and more contaminated 	<ul style="list-style-type: none"> - Clean the measurement windows (section 5.2.4) - Use other cleaning method - Select different measurement location - Set longer cleaning duration - Set more frequent cleaning procedures - Install optional compressed air cleaning device
<ul style="list-style-type: none"> - Failure of the optional compressed air cleaning system 	<ul style="list-style-type: none"> - Clean the measurement windows (section 5.2.4) - Check all components of the compressed air cleaning system (compressor, compressed air line, sensor, rinsing openings)
<ul style="list-style-type: none"> - Substantial change of test sample (sample matrix) 	<ul style="list-style-type: none"> - Carry out new user calibration

Display of *OFL*

Cause	Remedy
<ul style="list-style-type: none"> - Measuring range exceeded 	<ul style="list-style-type: none"> - Check process
<ul style="list-style-type: none"> - Foreign matter in the measuring gap 	<ul style="list-style-type: none"> - Clean the measuring gap (section 5.2.3)
<ul style="list-style-type: none"> - Erroneous user calibration 	<ul style="list-style-type: none"> - Repeat user calibration. Make sure the samples for comparison are representative.

Measured values fluctuating heavily

Cause	Remedy
<ul style="list-style-type: none"> - Gas bubbles in front of the measurement windows 	<ul style="list-style-type: none"> - Check the position within the process and the installation position

**Measured values too low
or too high**

Cause	Remedy
– Gas bubbles in front of the measurement windows	– Check the installation position of the sensor
– Measurement windows dirty	– Clean the measurement windows

Display of *ERROR*

Cause	Remedy
– Sensor not correctly connected	– Check the assignment of the terminal connections
– Load at a power supply module too high	– Install another power supply module in the vicinity of the sensor
– IQ SENSORNET cable towards the UV 70x IQ NOx too long (voltage drop too great)	– Install another power supply module in the vicinity of the sensor
– Electrical connection between power supply module and UV 70x IQ NOx is interrupted	<ul style="list-style-type: none"> – Check the cable connection step-by-step starting with the power supply module, and replace any defective cable sections. – Check the contacts on the MIQ modules (stack mounting). Clean any dirty contacts. Carefully bend back contact springs that have been pressed flat or bent (pay attention to sufficient spring tension)

8 Technical data

8.1 Measurement characteristics

Measuring principle Absorption measurement; integrated microprocessor electronics, shielded 2-wire connection for power and data transmission.

Measuring gap (optical layer thickness)	UV 701 IQ NOx	1 mm
	UV 705 IQ NOx	5 mm

NO₃ measurement 1 mm gap width

Measuring mode	Measuring range	Resolution
NO ₃ -N (NO _x -N)	0.0 ... 100.0 mg/l	0.1
NO ₃ (NO _x)	0.0 ... 500.0 mg/L	0.1

NO₃ measurement 5 mm gap width

Measuring mode	Measuring range	Resolution
NO ₃ -N (NO _x -N)	0.0 ... 20,0 mg/l	0.1
NO ₃ (NO _x)	0.0 ... 100.0 mg/l	0.1



The quoted measuring ranges are nominal measuring ranges that are theoretically possible. In practice, real measuring ranges exist that are given by the limits of photometric determination. The limits are significantly influenced by the light scattering due to solids and the absorption of accompanying substances (sample matrix). Therefore, no fixed measuring range can be determined beforehand.

8.2 Application characteristics

Suitability and areas of application Municipal wastewater with a low proportion of industrial wastewater, waste water treatment plants, surface water

Measuring medium	pH value	4 - 12
	Flow rate	< 3 m/s
	Temperature	0 °C ... + 45 °C (32 °F ... + 113 °F)

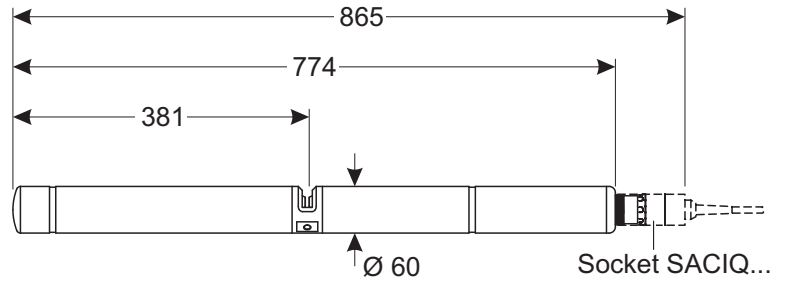
Pressure resistance Sensor with connected SACIQ (SW) sensor connection cable:

Max. admissible overpressure	105 Pa (1 bar)
------------------------------	----------------

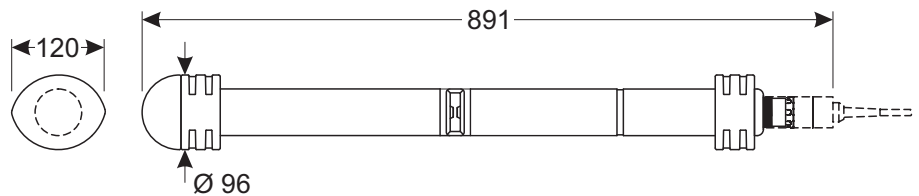
	The sensor meets all requirements according to article 3(3) of 97/23/EC ("pressure equipment directive").	
Type of protection	Sensor with connected SACIQ (SW) sensor connection cable: IP X8, 1 bar (10 ⁵ Pa)	
Immersion depth	min	The measuring gap must be filled with test sample.
	max	10 m depth
Operating position	Any	

8.3 General data

Dimensions
(in mm)



With shock protection:



Weight

Approx. 3.8 kg (without shock protectors and without sensor connection cable)
 Approx. 4.8 kg (with shock protectors but without sensor connection cable)

Connection technique

Connection via SACIQ (SW) sensor connection cable

Materials

Sensor shaft	Titan Grade 2
Center piece	PEEK
End cap	PEEK
Measurement window	Sapphire
Plug head connector housing	POM
Plug, 3-pole	ETFE (blue) Tefzel®
Protection ring	POM

Storage temperature

- 10 °C ... + 50 °C (14 ... 122 °F)

Meter safety	Applicable norms	<ul style="list-style-type: none"> - EN 61010-1 - UL 61010-1 - CAN/CSA C22.2#61010-1 - IEC 62471
---------------------	------------------	--

Test certificates cETLus, CE



Conforms to ANSI/UL 61010-1
 Certified to CAN/CSA C22.2#61010-1"

Intertek

2001759

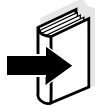
8.4 Electrical data

Nominal voltage	Max. 24VDC via the IQ SENSORNET (for more details, see chapter TECHNICAL DATA of the IQ SENSORNET system operating manual)
Power consumption	8 W
Protective class	III

9 Indexes

9.1 Explanation of the messages

This chapter contains a list of all the message codes and related message texts that can occur in the log book of the IQ SENSORNET system for the UV 70x IQ NOx sensor.



Information on the contents and structure of the log book and the structure of the message code is given in the LOG BOOK chapter of the IQ SENSORNET system operating manual.



The last three digits of the message code form the component code. It identifies the component (active component) that caused the message:

Some error messages contain an internal error code, starting with "#".

Module code	Component
3A9	UV 701 IQ NOx
3AA	UV 705 IQ NOx
541	BasicVis IQ

9.1.1 Error messages

Message code	Message text
EA2541	<i>Sensor temperature too high!</i> <i>* Check process and application</i>
EA3541	<i>Sensor temperature too low!</i> <i>* Check process and application</i>
EAI541	<i>Zero adjustment erroneous</i> <i>* Clean the sensor and sensor sleeve repeatedly</i> <i>* Position the sensor sleeve according to operating manual</i> <i>* Rinse the measuring chamber with ultrapure water several times</i> <i>* Fill the measuring chamber with ultrapure water</i> <i>* Repeat the zero adjustment</i>
EAM3Ax	<i>Meas. range exceeded or undercut</i> <i>* Check process</i>
EC33Ax	<i>User calibration erroneous,</i> <i>Check raw value / reference value pairs:</i> <i>* Set all values within the measuring range</i> <i>(see operating manual)</i> <i>* Enter value pairs in ascending order</i>
EI1541	<i>Operational voltage too low</i> <i>* Check installation and cable lengths, Follow installation instructions</i> <i>* Power supply module(s) overloaded, add power supply module(s)</i> <i>* Check terminal and module connections</i> <i>* Defective components, replace components</i>
EI2541	<i>Operational voltage too low, no operation possible</i> <i>* Check installation and cable lengths, Follow installation instructions</i> <i>* Power supply module(s) overloaded, add power supply module(s)</i> <i>* Check terminal and module connections</i> <i>* Defective components,</i> <i>replace components</i>
ES2541	<i>Humidity too high in sensor</i> <i>* Contact service</i>
ES3541	<i>Failure optical measurement: deviation in reference channel too high</i> <i>* Execute zero adjustment</i>
ES4541	<i>Overflow optical measurement</i> <i>* Execute zero adjustment</i>

Message code	Message text
ES5541	<i>Failure optical measurement: hardware * Contact service</i>
ES6541	<i>Failure optical measurement: software * Contact service</i>
ES7541	<i>Failure optical measurement: software BIOS * Contact service</i>

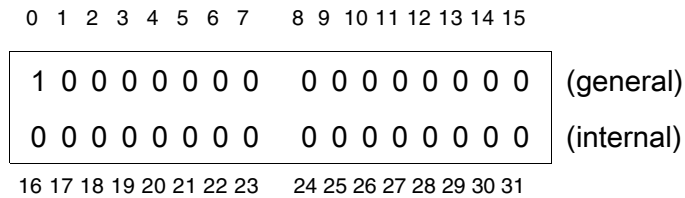
9.1.2 Informative messages

Message code	Message text
IAC541	<i>Zero adjustment was successfully carried out * Carry out sensor check * If required, carry out new user calibration</i>
IC3541	<i>The factory zero adjustment was activated. Make sure the sensor operates correctly.</i>
IC4541	<i>The last valid user zero adjustment was activated. Make sure the sensor operates correctly.</i>
IC5541	<i>Invalid user zero adjustment was replaced by last valid user calibration. Caution! Wrong measured values possible. Carry out a new successful zero adjustment to make sure the sensor operates correctly.</i>
IC6541	<i>The invalid user zero adjustment was replaced by the factory zero adjustment. Caution! Wrong measured values possible. Check whether the sensor operates correctly or carry out a new successful user zero adjustment.</i>

9.2 Status info

The status info is a coded piece of information on the current status of a sensor. Each sensor sends this status info to the controller. The status info of sensors consists of 32 bits, each of which can have the value 0 or 1.

Status info,
general structure



The bits 0 - 15 are reserved for general information.
The bits 16 - 21 are reserved for internal service information.

You obtain the status info:

- via a manual query in the *Einstellungen/Settings/Service/ List of all components* menu (see system operating manual)
- by an automated query
 - from a superordinate process control (e. g. when connected to the Profibus)
 - of the IQ Data Server (see operating manual of the IQ SENSORNET software pack)



Status-Info
UV 70x IQ NOx

The evaluation of the status info, e.g. in the case of an automated query, has to be made individually for each bit.

Status bit	Explanation
Bit 0	<i>Component hardware defective</i>
Bit 1	<i>Component hardware defective xxx</i>
Bit 2	<i>Optical measuring range exceeded #-10</i>
Bit 3-31	-

10 Appendix: Glossary

Absorbance (Absorption)	Attenuation of the light beam when it penetrates the sample.
Adjusting	To manipulate a measuring system so that the relevant value (e.g. the displayed value) differs as little as possible from the correct value or a value that is regarded as correct, or that the difference remains within the tolerance.
Calibration	Comparing the value from a measuring system (e. g. the displayed value) to the correct value or a value that is regarded as correct. Often, this expression is also used when the measuring system is adjusted at the same time (see adjusting).
Calibration value pair	Value pair consisting of the raw value measured by the UV 70x IQ NOx sensor, and a reference value measured e.g. by a laboratory determination. The calibration value pairs are the result of the user calibration.
Concentration	Mass or amount of a dissolved substance per volume, e. g. in g/L or mol/L.
Measured parameter	The measured parameter is the physical dimension determined by measuring, e.g. pH, conductivity or D.O. concentration.
Measured parameter (correlated)	With the measuring method used, a correlated measured parameter is not determined directly. A correlated measured parameter can, however, be derived from a determinable measured parameter. The precondition for this is that there is a reproducible interrelationship (correlation) between the determinable and correlated measured parameter.
Measured value	The measured value is the special value of a measured parameter to be determined. It is given as a combination of the numerical value and unit (e. g. 3 m; 0.5 s; 5.2 A; 373.15 K). The measured value is determined from the raw value taking into account the data from a user calibration. The measured value is displayed together with the raw value in the measured value display.
Measuring gap	The measuring gap is between the two measurement windows. In the measuring gap, the light beam penetrates the test sample.
Measuring system	The measuring system comprises all the devices used for measuring, e. g. measuring instrument and sensor. In addition, there is the cable and possibly an amplifier, terminal box and armature.
NOx-N	The proportion of nitrogen coming from nitrate and/or nitrite.
Reference sample	Random sample of the test sample for comparative chemical-analytical laboratory analyses intended for user calibration.
Resolution	Smallest difference between two measured values that can be displayed by a meter.

Sample matrix	Composition of the test sample of different individual substances.
Test sample	Designation of the test sample ready to be measured.
Ultrapure water (H₂O dist.)	Ultrapure water is distilled or deionized water suitable for analysis purposes.

11 Contact Information

11.1 Ordering & Technical Support

Telephone: (800) 897-4151
(937) 767-7241
Monday through Friday, 8:00 AM to 5:00 PM ET

Fax: (937) 767-1058

Email: environmental@ysi.com

Mail: YSI Incorporated
1725 Brannum Lane
Yellow Springs, OH 45387
USA

Internet: www.ysi.com

When placing an order please have the following information available:

YSI account number (if available)	Name and Phone Number
Model number or brief description	Billing and shipping address
Quantity	Purchase Order or Credit Card

11.2 Service Information

YSI has authorized service centers throughout the United States and Internationally. For the nearest service center information, please visit www.ysi.com and click 'Support' or contact YSI Technical Support directly at 800-897-4151.

When returning a product for service, include the Product Return form with cleaning certification. The form must be completely filled out for an YSI Service Center to accept the instrument for service. The Product Return form may be downloaded at www.ysi.com and clicking on the 'Support' tab.

Xylem |'zīləm|

- 1) The tissue in plants that brings water upward from the roots;
- 2) a leading global water technology company.

We're 12,500 people unified in a common purpose: creating innovative solutions to meet our world's water needs. Developing new technologies that will improve the way water is used, conserved, and re-used in the future is central to our work. We move, treat, analyze, and return water to the environment, and we help people use water efficiently, in their homes, buildings, factories and farms. In more than 150 countries, we have strong, long-standing relationships with customers who know us for our powerful combination of leading product brands and applications expertise, backed by a legacy of innovation.

For more information on how Xylem can help you, go to www.xylem.com



a **xylem** brand

YSI
1725 Brannum Lane
Yellow Springs, OH 45387
Tel: +1 937-767-7241; 800-765-4974
Fax: +1 937-767-1058
Email: environmental@ysi.com
Web: www.ysi.com

©Xylem Inc