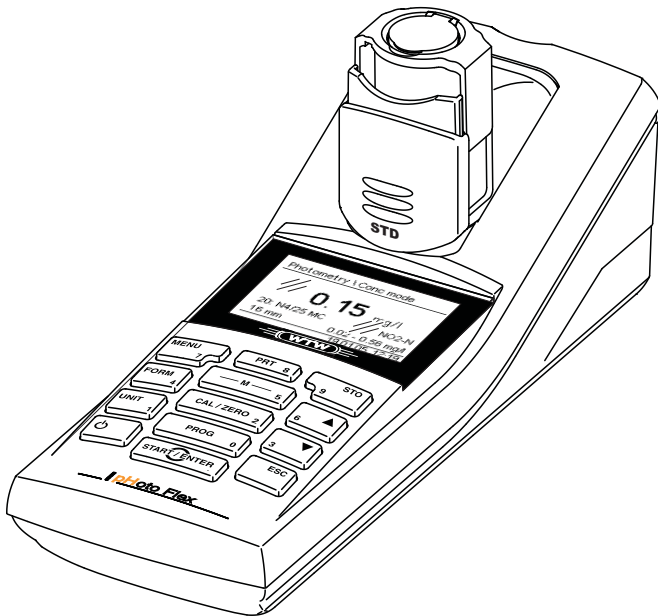


QUICK START GUIDE

ba76124e01 02/2013



photoFlex[®] STD

Handheld colorimeter



a xylem brand



For the most recent version of the manual, please visit www.yisi.com.

Contact

YSI
1725 Brannum Lane
Yellow Springs, OH 45387 USA
Tel: +1 937-767-7241
800-765-4974
Email: environmental@ysi.com
Internet: www.yisi.com

Copyright

© 2013 Xylem Inc.

pHotoFlex® STD - Contents

Safety	4
Display and socket field	4
Power supply	5
General operating principles	5
Initial commissioning	9
Operation	9
Inserting a cell	9
Photometry	12
pH value / ORP voltage	14
Turbidity	15
Maintenance, cleaning	18
What to do if...	20
General errors	20
Photometry	20
pH value / ORP voltage	21
Turbidity	23
Technical data	23
General data	23
Photometry	25
pH value / ORP voltage	25
Turbidity	26



Part of the process of consequently improving our products is the continuous further development of the range of photometric tests offered and the meter firmware. All current data for the pHotoFlex® STD can be found on the Internet under www.YSI.com:

- Firmware
- Method data
- Analysis specifications
- Operating manual

You can easily transfer new firmware to your instrument with the aid of the AK 540/B cable and a PC. More detailed information can be found in the detailed operating manual on the CD-ROM provided.

Safety

Target group

The meter was developed for work in the field and in the laboratory. We assume that, as a result of their professional training and experience, the operators will know the necessary safety precautions to take when handling the chemicals of photometric test sets.

The personnel responsible for the commissioning, operation and maintenance must have the necessary qualifications for this work. If the personnel do not have the required skills they have to be instructed. Furthermore, it must be ensured that the personnel read and completely understand the present operating manual.

Safety instructions

Important safety instructions are highlighted in this operating manual. They are indicated by the warning symbol (triangle) in the left column. The signal word (e.g. "Caution") indicates the level of danger:



CAUTION

indicates a possibly dangerous situation that can lead to slight (reversible) injury if the safety instruction is not followed.

NOTE

indicates a possibly dangerous situation where goods might be damaged if the actions mentioned are not taken.

Safe operation



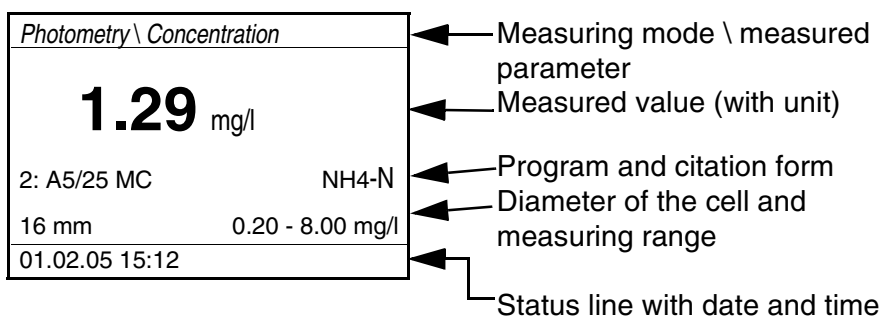
CAUTION

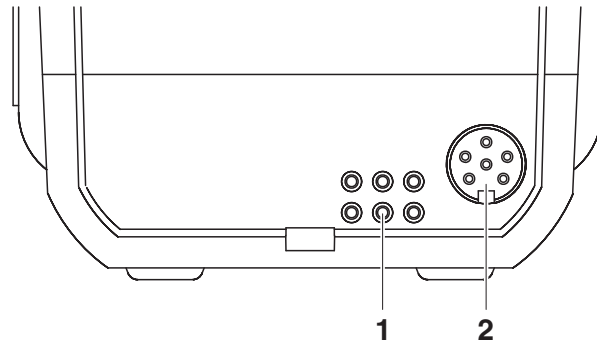
Danger of eye damage by visible and invisible LED radiation. In the cell shaft there are light emitting diodes (LED) of the 1M class. Do not look at the radiation using optical instruments. With normal, authorized use there is no hazard.

Display and socket field

Display

The graphic display shows all information of the current measurement in the measured value display. The illumination enables to read the display even in the darkness.



Socket field**Identifying the connectors**

1	Contacts for operation on the LabStation
2	RS232 serial interface

Power supply

You can operate the meter either with batteries or rechargeable battery.

The *LoBat* display indicator appears when the batteries or rechargeable battery is nearly discharged.

General operating principles

This section contains basic information on the operation of the pHotoFlex® STD.

Operating modes

- **Measurement**
The display indicates measurement data in the measured value display
- **Calibration**
The display indicates a calibration process with calibration information, or a process to carry out a zero adjustment
- **Data transmission**
The meter transmits measuring datasets or calibration records to the serial interface
- **Configuration**
The display indicates a menu with further menus, settings and functions

Keypad

	<p>Select the measured parameter <M> (short keystroke):</p> <ul style="list-style-type: none"> - <i>Concentration</i> - <i>Absorbance</i> - <i>% Transmission</i>
	<p>Open the menu for adjustment measurements (blank values, zero adjustment) <CAL/ZERO></p>
	<p>In the <i>Photometry</i> measuring mode: Select a program for concentration measurement <PROG></p>
	<p>Open menus / confirm entries / start measurement <START/ENTER></p>
	<p>Call up the <i>Configuration</i> menu (all settings are made here) <MENU></p>
	<p>In the <i>Photometry</i> measuring mode, measured parameter, <i>Concentration</i>: switch over between available citation forms <FORM></p>
	<p>In the <i>Photometry</i> measuring mode, measured parameter, <i>Concentration</i>: Switch over between available units <UNIT></p>
	<p>Switch the meter on/off <ON/OFF></p>
	<p>Output display contents to RS232 interface (e.g. print) <PRT></p>
	<p>Open the <i>Store</i> menu: <STO> Quick storing: 2 x <STO></p>
	<p>Highlight menu items or selection / set values <▲>, <▼></p>
	<p>Switch to the next higher menu level / cancel input <ESC></p>



Keys with an additional number printed on are assigned doubly. This enables to directly enter numbers in special menus. Thus, you can, for example, conveniently enter the date and time via the number keys.

Measured value display

In the measured value display, you can

- select a measuring mode with <M> (long pressure)
- select a measured parameter in the active measuring mode (e. g. pH <-> mV) with <M> (short pressure)
- open the menu with <MENU>
- switch to the higher *Start* menu with <ESC>.

Menus and dialogs

The menus for settings and dialogs in procedures contain further submenus. The selection is made with the <▲> <▼> keys. The current selection is highlighted as white text on a black background.

- Menus

The name of the menu is displayed at the upper edge of the frame. Menus are opened by confirming with <START/ENTER>. Example:

<i>Configuration</i>	
<i>Photometry</i>	
<i>Timer</i>	
<i>System</i>	
<i>Info</i>	

- Settings

Settings are indicated by a colon. The current setting is displayed on the right-hand side. With <START/ENTER>, the selection of the possible settings is opened. Subsequently, the setting can be changed with <▲> <▼> and <START/ENTER>.

Example:

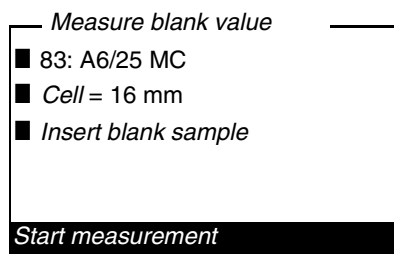
<i>System</i>	
<i>Language:</i>	<i>English</i>
<i>Beep:</i>	<i>Off</i>
<i>Illumination:</i>	<i>On</i>
<i>Contrast:</i>	<i>48 %</i>
<i>Temperature unit:</i>	<i>°C</i>
<i>Switchoff time:</i>	<i>30 min</i>

- Functions

Functions are designated by the name of the function. They are

immediately carried out by confirming with **<START/ENTER>**.

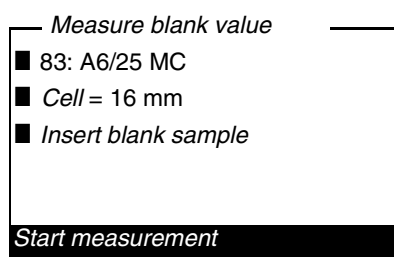
Example:



- **Messages**

Information or operating instructions are indicated by the ■ symbol. They cannot be selected.

Example:



Initial commissioning

Switching on the meter

Press the **<ON/OFF>** key.

For a few seconds, the *Start* menu appears with a selection of the measuring modes. The measuring mode last selected is highlighted.

After a few seconds, the meter automatically switches to the measuring mode and measured parameter used last.

Setting the language

The English language is set on delivery. Set a different language as follows:

1	Open the <i>Configuration</i> menu with the <MENU> key.
2	Open the <i>Configuration / System / Language</i> menu with the <▲> <▼> and <START/ENTER> keys.
3	Select the required language with the <▲> <▼> keys and confirm with <START/ENTER> .
4	Quit the menu with the <M> key.

Setting the date and time

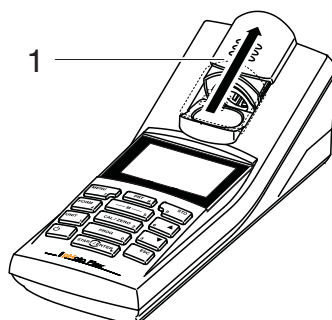
The date and time are set in the menu, *Configuration / System / Continue ... / Date/time*.

Operation

Inserting a cell

To be able to insert cells in the pHotoFlex® STD, the cell shaft has to be prepared to take in a cell.

1	<p>Push the dust cover (1) upward. The cell shaft for 28 mm cells is open.</p> <ul style="list-style-type: none"> ● Insert a 28 mm cell (see below) ● Insert a 16 mm cell (see page 10)
---	---

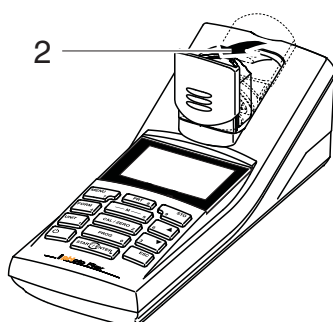


Inserting a 28 mm cell

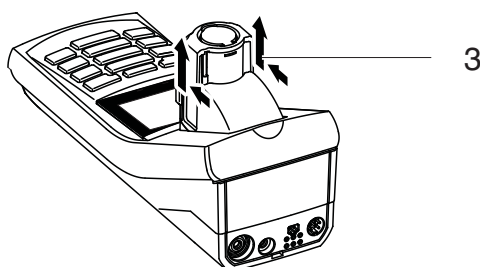
- 2 Insert the cell so that it is positioned on the bottom of the cell shaft.
The cell is ready to be measured.

**Inserting a 16 mm cell**

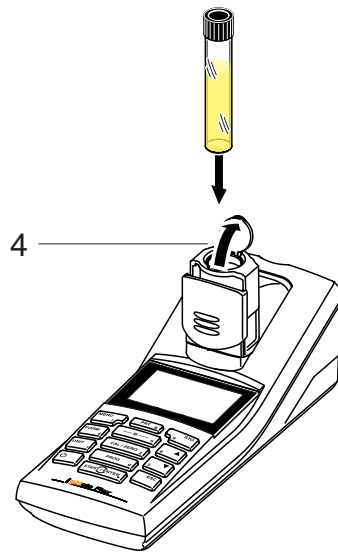
- 1 Put the fold-out cell shaft (2) in an upright position until it locks into place.



- 2 Pull up the height adapter (3).
The cell shaft is extended.



- 3 Open the external light cover (4) of the cell shaft.



- | | |
|---|--|
| 4 | Insert the 16 mm cell (marking points forward) so that it is positioned on the bottom of the cell shaft. |
| 5 | Close the external light cover (4).
The cell is ready to be measured. |

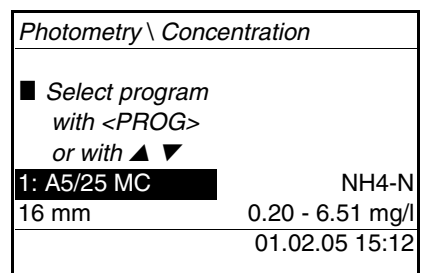
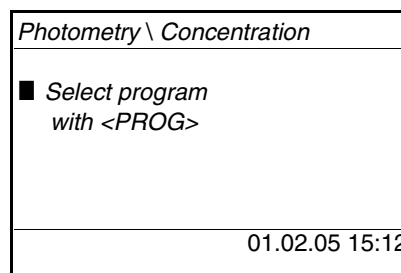
Photometry

Measuring the concentration

- | | |
|---|---|
| 1 | Press the <M> key (long pressure) repeatedly until the <i>Photometry</i> measuring mode is selected. |
| 2 | Press the <M> key (short pressure) repeatedly until the measured parameter, <i>Concentration</i> is selected. |

First concentration measurement with the pHotoFlex® STD

Second and all further concentration measurements



From the second concentration measurement, the data of the program last used is automatically displayed here.

With <▲> <▼> you can quickly switch between the ten programs last used.

- 3 Open the *Program number* display with <PROG>, enter the required program number with the number keys and confirm with <START/ENTER>. or (from the second concentration measurement): Select a program out of the last ten programs with <▲> <▼>. The program data is displayed.



If a program number is selected that requires a measured blank value, the menu automatically guides to the blank value measurement.

Photometry \ Concentration	
■ Insert sample	
■ Start measurement with <START>	
1: A5/25 MC	NH4-N
16 mm	0.20 - 6.51 mg/l
01.02.04 15:12	

- 4 Insert the cell (see page 9).
- 5 Start the measurement with <START/ENTER>. Measurement is started. The result is displayed.

Photometry \ Concentration	
	[BV]
0.74 mg/l	
1: A5/25 MC	NH4-N
16 mm	0.20 - 6.51 mg/l
01.02.04 15:12	

← A blank value measured by the user is used

Blank value (reagent blank value)

A blank value is required for every concentration measurement. For some programs (methods) for concentration measurement, the blank values are already stored in the meter. For all other programs, the blank value has to be determined separately before the first measurement.



You will find more information on blank values in the photometry analysis manual. A table with the programs and required blank values can be found in the analysis specifications.

Zero adjustment

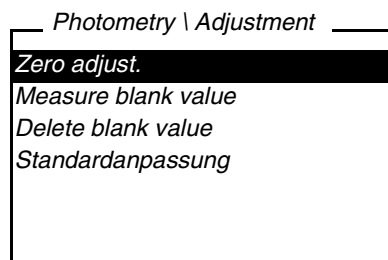
The zero adjustment, i. e. measuring and storing the absorbance of a cell filled with water, is necessary after the meter is switched on.

Additionally, we recommend to carry out a zero adjustment if the ambient temperature has changed.

Only perform the zero adjustment against distilled water in an optically perfect cell. The zero adjustment must be performed separately for each cell type.

Zero adjustment / blank value measurement

1	Press the <M> key (long pressure) repeatedly until the <i>Photometry</i> measuring mode is selected.
2	Press the <M> key (short pressure) repeatedly until the measured parameter, <i>Concentration</i> is selected.
3	Press the <CAL/ZERO> key. The menu for adjustment measurements opens up.



4	Using <▲> <▼> and <START/ENTER>, select and start a function. The menu-guided process starts. Follow the instructions on the display.
---	---

Maintenance, cleaning

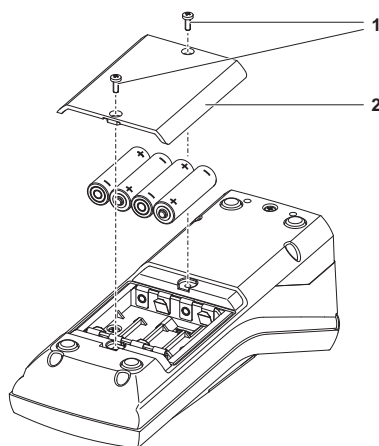
Maintenance

The meter is almost maintenance-free.

The only maintenance task is replacing the batteries or rechargeable battery.

NOTE

Make sure the poles of the batteries are the right way round. The ± signs on the batteries must correspond to the ± signs in the battery compartment.



1	Open the battery compartment: <ul style="list-style-type: none"> – Unscrew the two screws (1) on the underside of the meter, – Remove the lid of the battery compartment (2).
2	If necessary, take four old batteries out of the battery compartment.
3	Insert four batteries (3) in the battery compartment.
4	Close the battery compartment and fix it with the screws.



Dispose of used batteries according to the local regulations of your country.

End users within the European Union are obligated to return used batteries (even ecologically compatible ones) to a collection point set up for recycling purposes.

Batteries are marked with the crossed-out waste container symbol. Therefore, they may not be disposed with the domestic waste.

Cleaning

Occasionally wipe the outside of the meter with a damp, lint-free cloth. Disinfect the housing with isopropanol as required.

NOTE

The housing components are made out of synthetic materials

(polyurethane, ABS and PMMA). Thus, avoid contact with acetone and similar detergents that contain solvents. Remove any splashes immediately.

Cleaning the cell shaft

If liquid is in the cell shaft (e.g. due to a spilled cell), clean the cell shaft as follows:



CAUTION

Cells can contain poisonous or corrosive substances. If the content is released follow the danger warnings on the cell. If necessary, take corresponding protective measures (protective goggles, protective gloves etc.).

- | | |
|---|--|
| 1 | Switch the pHotoFlex® STD off and pull out the power plug. |
| 2 | Rinse the cell shaft with distilled water. |

Cleaning the cells

Cells have to be clean, dry, and free of fingerprints and scratches. Therefore, clean them regularly:

- | | |
|---|---|
| 1 | Clean the cells inside and out with hydrochloric acid or laboratory soap. |
| 2 | Rinse out several times with distilled water. |
| 3 | Let them dry in the air. |
| 4 | Only hold the cells by the top or by the light protection cap so that the optical path is not impaired. |
| 5 | Before measuring, clean the cell with the enclosed cleaning cloth. |



Scratches in the glass change the optical characteristics of the cell and falsify the measured value. For this reason, never use scratched cells!

What to do if...

General errors

Display, *LoBat*

Cause	Remedy
<ul style="list-style-type: none"> – The batteries or rechargeable battery are largely depleted 	<ul style="list-style-type: none"> – Insert new batteries – Charge the rechargeable battery

Instrument does not react to keystroke

Cause	Remedy
<ul style="list-style-type: none"> – Software error – Operating condition undefined or EMC load unallowed 	<ul style="list-style-type: none"> – Processor reset: Press the <START/ENTER> and <PRT> key simultaneously.

RS232 interface does not react

Cause	Remedy
<ul style="list-style-type: none"> – Software error – Operating condition undefined or EMC load unallowed 	<ul style="list-style-type: none"> – Processor reset: Press the <START/ENTER> and <PRT> key simultaneously.

Error message, *Error 0, 8, 16, 16384*

Cause	Remedy
<ul style="list-style-type: none"> – Instrument error 	<ul style="list-style-type: none"> – Repeat measurement – Meter defective, send meter for repair and quote the error number

Photometry

Measuring range undercut or exceeded

Cause	Remedy
<ul style="list-style-type: none"> – Program not suitable 	<ul style="list-style-type: none"> – Select program with suitable measuring range – Dilute the sample

Obviously incorrect measured values	Cause	Remedy
	– Measurement disturbed by external light	– Close the external light cover.
	– Cell not correctly inserted	– Insert the cell so that it is positioned on the bottom of the cell shaft.
	– Cell contaminated	– Clean the cell
	– Cell shaft contaminated	– Clean the cell shaft
	– Dilution set incorrectly	– Set the dilution
	– Selected program unsuitable	– Select other program
	– Zero measurement incorrect	– Perform zero measurement
	– Blank value incorrect	– Remeasure the blank value

Technical data

General data

Dimensions	approx. 236 x 86 x 117 mm	
Weight	approx. 0.6 kg (without batteries)	
Mechanical structure	Type of protection	IP 67
Electrical safety	Protective class	III
Test certificates	cETLus, CE, FCC	
Ambient conditions	Storage	- 25 °C ... + 65 °C
	Operation	0 °C ... + 50 °C
	Climatic class	2
Allowable relative humidity	Yearly mean:	75 %
	30 days /year:	95 %
	other days:	85 %

Power supply	Batteries	4 x 1.5 V, type AA
	Operating time with battery operation	approx. 5000 measurements
	Rechargeable battery (optional)	5 x 1.2 V nickel metal hydride (NiMH), type AAA
	Power pack Charging device (optional)	FRIWO FW7555M/09, 15.1432.500-00 Friwo Part. No. 1883259 Input: 100 ... 240 V ~ / 50 ... 60 Hz / 400 mA Output: 9 V = / 1,5 A Connection max. overvoltage category II Primary plugs contained in the scope of delivery: Euro, US, UK and Australian.
Serial interface	Connection of the cable AK 540/B or AK 540/S	
	Baud rate	adjustable: 1200, 2400, 4800, 9600, 19200 Baud
	Type	RS232
	Data bits	8
	Stop bits	2
	Parity	None
	Handshake	RTS/CTS
	Cable length	Max. 15 m
Guidelines and norms used	EMC	EC guideline 89/336/EEC EN 61326-1/A3:2003 FCC Class A
	Instrument safety	EC guideline 73/23/EEC EN 61010-1 :2001 UL3101-1 CAN/CSA-C22.2 No. 1010.1-92
	Climatic class	VDI/VDE 3540
	IP protection	EN 60529:1991

FCC Class A Equipment Statement

Note: This equipment has been tested and found to comply with the limits for a Class A digital device, pursuant to Part 15 of the FCC Rules. These limits are designed to provide reasonable protection against harmful interference when the equipment is operated in a commercial environment. This equipment generates, uses, and can radiate radio frequency energy and, if not installed and used in accordance with the instruction manual, may cause harmful interference to radio communications. Operation of this equipment in a residential area is likely to cause harmful interference in which case the user will be required to correct the interference at his own expense.

Photometry

Optical measuring principle	LED photometer with filter	
Interference filter	436 nm, 517 nm, 557 nm, 594 nm, 610 nm, 690 nm	
Photometric reproducibility	Accuracy:	± 2 nm
Photometric resolution	0.005 or better	
Warm-up time	0.001	
Measuring time	none	
Measured parameters	approx. 2s	
Measuring range	Concentration (method dependent, selectable display form), absorbance, transmission	
User-defined programs	Absorbance:	-0.200 ... +2.000
Resolution	Transmission:	1 ... 150 %
Transmission	100	
	1.00 ... 9.99	0.01 %
	10.0 ... 150	0.1 %

Contact Information

Ordering & Technical Support

Telephone: (800) 897-4151
(937) 767-7241
Monday through Friday, 8:00 AM to 5:00 PM ET

Fax: (937) 767-1058

Email: environmental@ysi.com

Mail: YSI Incorporated
1725 Brannum Lane
Yellow Springs, OH 45387
USA

Internet: www.ysi.com

When placing an order please have the following information available:

YSI account number (if available)	Name and Phone Number
Model number or brief description	Billing and shipping address
Quantity	Purchase Order or Credit Card

Service Information

YSI has authorized service centers throughout the United States and Internationally. For the nearest service center information, please visit www.ysi.com and click 'Support' or contact YSI Technical Support directly at 800-897-4151.

When returning a product for service, include the Product Return form with cleaning certification. The form must be completely filled out for an YSI Service Center to accept the instrument for service. The Product Return form may be downloaded at www.ysi.com and clicking on the 'Support' tab.

Xylem ['zīləm]

- 1) The tissue in plants that brings water upward from the roots;
- 2) a leading global water technology company.

We're 12,500 people unified in a common purpose: creating innovative solutions to meet our world's water needs. Developing new technologies that will improve the way water is used, conserved, and re-used in the future is central to our work. We move, treat, analyze, and return water to the environment, and we help people use water efficiently, in their homes, buildings, factories and farms. In more than 150 countries, we have strong, long-standing relationships with customers who know us for our powerful combination of leading product brands and applications expertise, backed by a legacy of innovation.

For more information on how Xylem can help you, go to www.xyleminc.com



a **xylem** brand

YSI
1725 Brannum Lane
Yellow Springs, OH 45387
Tel: +1 937-767-7241; 800-765-4974
Fax: +1 937-767-1058
Email: environmental@ysi.com
Web: www.ysi.com

©Xylem Inc