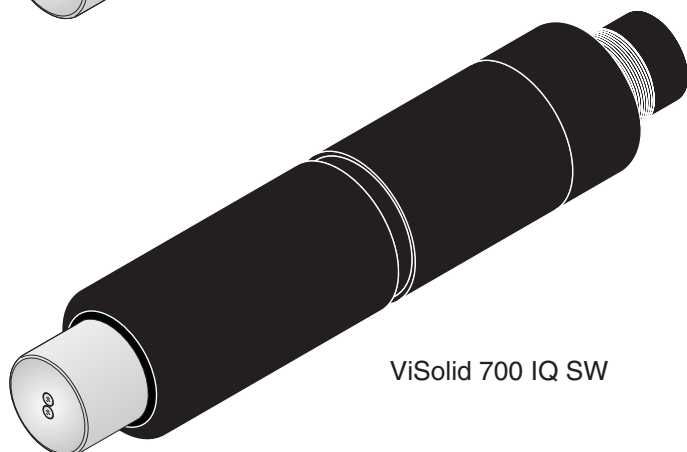


ViSolid 700 IQ
ViSolid 700 IQ H



ViSolid 700 IQ SW

ViSolid[®] 700 IQ

ViSolid[®] 700 IQ SW

ViSolid[®] 700 IQ H

IQ SENSORNET TOTAL SUSPENDED SOLIDS SENSOR



a xylem brand



For the most recent version of the manual, please visit www.ysi.com.

Contact

YSI
1725 Brannum Lane
Yellow Springs, OH 45387 USA
Tel: +1 937-767-7241
800-765-4974
Email: environmental@ysi.com
Internet: www.ysi.com

Copyright

© 2014 Xylem Inc.

ViSolid® 700 IQ (SW) - Contents

1	Overview	1-1
1.1	How to use this component operating manual	1-1
1.2	Structure of the ViSolid® 700 IQ (SW) total suspended solids sensor	1-2
1.3	Recommended fields of application	1-2
1.4	Features of the ViSolid® 700 IQ (SW)	1-3
2	Safety	2-1
2.1	Safety information	2-1
2.1.1	Hazard warnings in this operating manual	2-1
2.1.2	Safety information on the product	2-1
2.2	Safe operation	2-2
2.2.1	Authorized use	2-2
2.2.2	Requirements for safe operation	2-2
2.2.3	Unauthorized use	2-2
2.3	Hazardous location use (ViSolid® 700 IQ H)	2-3
3	Commissioning	3-1
3.1	IQ SENSORNET system requirements	3-1
3.2	Scope of delivery	3-1
3.3	Installation	3-1
3.3.1	Safety guidelines for installation in a hazardous location (H-models only)	3-1
3.3.2	General information	3-2
3.3.3	Flow direction	3-3
3.3.4	Sensor angle	3-3
3.3.5	Sensor orientation	3-4
3.3.6	Distances from the ground and wall	3-5
3.4	Installation examples	3-6
3.4.1	Measurement in an open pool or channel	3-6
3.4.2	Measurement in pipelines	3-8
3.5	Commissioning / Readiness for measuring	3-10
3.5.1	Connect the sensor	3-10
3.5.2	Selecting the <i>Measuring mode</i>	3-12
3.5.3	Setting tableViSolid® 700 IQ (SW)	3-13
4	Measuring	4-1
4.1	Measuring operation	4-1
4.2	Calibration for TSS measurement	4-2
4.2.1	General information	4-2

4.2.2	<i>Default calibration</i>	4-3
4.2.3	<i>Correction factor</i>	4-5
4.2.4	<i>User calibration</i>	4-7
5	Maintenance, cleaning, accessories	5-1
5.1	General information	5-1
5.2	Cleaning the sensor shaft and measurement windows	5-1
5.3	Accessories	5-3
6	What to do if	6-1
7	Technical data	7-1
7.1	Measuring characteristics	7-1
7.2	Application characteristics	7-2
7.3	General data	7-3
7.4	Instrument safety	7-4
7.4.1	General instrument safety	7-4
7.4.2	Hazardous location ratings (H models) ...	7-4
7.5	Electrical data	7-5
8	Indexes	8-1
8.1	Explanation of the messages	8-1
8.1.1	Error messages	8-1
8.1.2	Info messages	8-2
8.2	Status info	8-3
9	Contact Information	9-1
9.1	Ordering & Technical Support	9-1
9.2	Service Information	9-1
10	Appendix	10-1
10.1	Check calibration values	10-1

1 Overview

1.1 How to use this component operating manual

Structure of the IQ SENSORNET operating manual

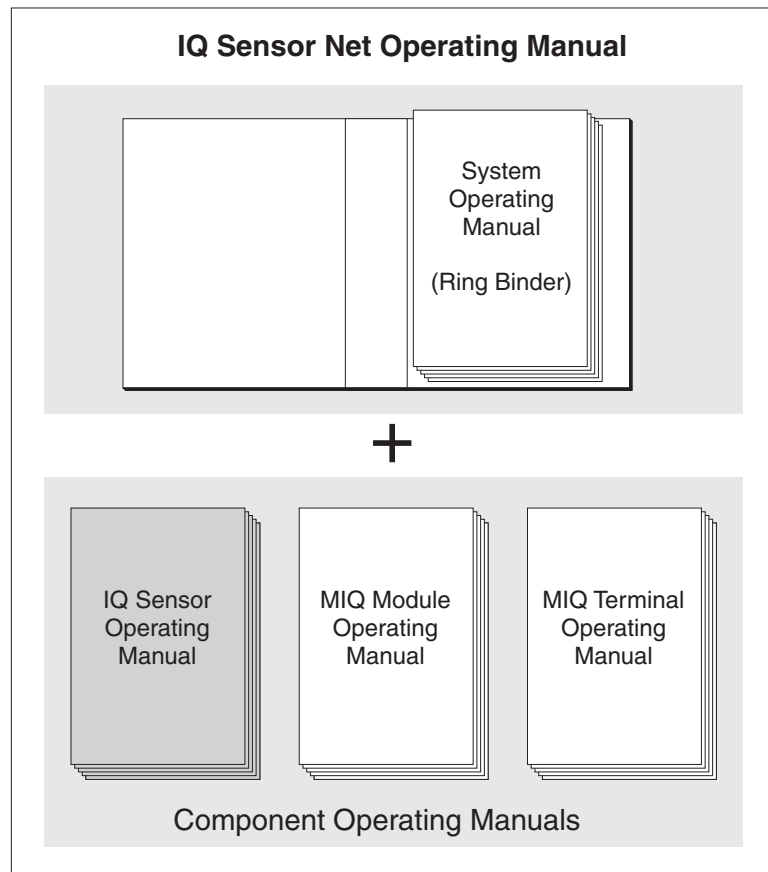


Fig. 1-1 Structure of the IQ SENSORNET operating manual

The IQ SENSORNET operating manual has a modular structure like the IQ SENSORNET system itself. It consists of a system operating manual and the operating manuals of all the components used.

Please file this component operating manual into the ring binder of the system operating manual.

1.2 Structure of the ViSolid® 700 IQ (SW) total suspended solids sensor

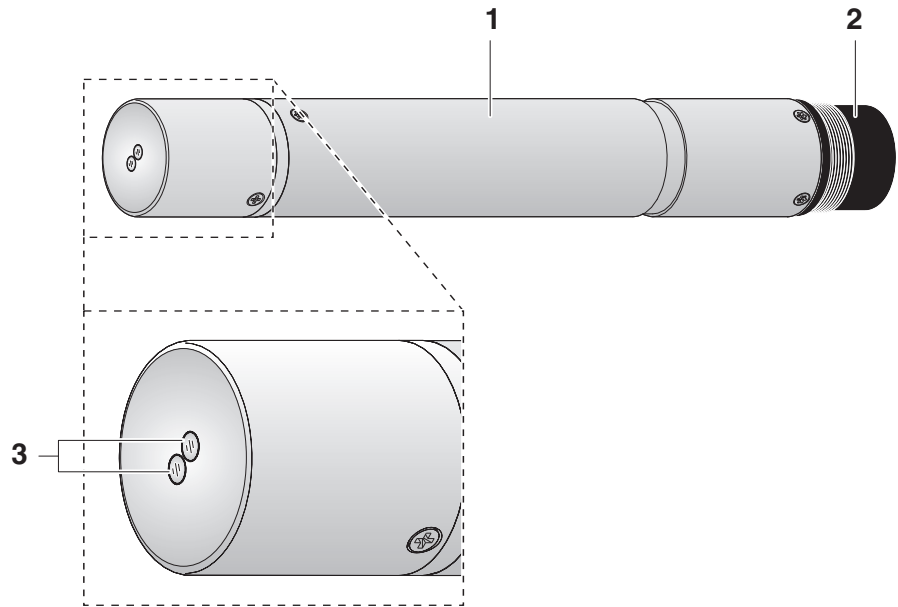


Fig. 1-2 Structure of the total suspended solids sensor (example: ViSolid[®] 700 IQ)

1	Shaft
2	Connection head
3	Optical measurement window made of sapphire

1.3 Recommended fields of application

ViSolid® 700 IQ

Stationary measurement of the total suspended solids in slurries and in water/wastewater applications.

ViSolid® 700 IQ SW

Stationary measurements in seawater and brackish water, aquaculture.

The ViSolid® 700 IQ (SW) is particularly well suited for applications in polluted measuring media, e.g. in wastewater treatment plants, thanks to its robust construction and its efficient ultrasound cleaning system. It provides very high measurement accuracy with low maintenance costs.

ViSolid® 700 IQ H

Stationary measurements in water/wastewater applications in Class I Division 2 hazardous locations.

1.4 Features of the ViSolid® 700 IQ (SW)

Total suspended solids measurement

The measurement of the total suspended solids in aqueous media with the ViSolid® 700 IQ (SW) is carried out as a scattered light measurement. This records the suspended proportion of total suspended solids (TSS).

Ultrasound cleaning system

The ultrasound cleaning system ensures low maintenance and long-term reliable measurement operation.

The ultrasound source integrated in the sensor excites the front face containing the measurement windows to oscillations in the ultrasound range. The resulting movement of the surface prevents the growth of pollution right from the start and, thus, ensures reliable measured values during continuous operation.

AutoRange function

Within the enormously large measuring range (0 - 40000 mg/l SiO₂ and 0 - 40000 mg/l TSS depending on the measured material), the AutoRange function selects the optimum resolution for the respective measured value.

SensCheck function





This monitoring function that is integrated in the sensor is used to continually check the sensor function and to register any malfunctions caused by the measuring medium. The correct operation of the ultrasound cleaning system is also continuously monitored.

2 Safety

2.1 Safety information

2.1.1 Hazard warnings in this operating manual

The hazard warnings are defined for the following levels of danger:

	<p style="text-align: center;">⚠ DANGER</p> <p>DANGER indicates an imminently hazardous situation which, if not avoided, will result in death or serious injury.</p>
	<p style="text-align: center;">⚠ WARNING</p> <p>WARNING indicates a potentially hazardous situation which, if not avoided, could result in death or serious injury.</p>
	<p style="text-align: center;">⚠ CAUTION</p> <p>CAUTION indicates a potentially hazardous situation which, if not avoided, may result in minor or moderate injury.</p>
	<p style="text-align: center;">NOTICE</p> <p>NOTICE is used to address practices not related to personal injury.</p>

2.1.2 Safety information on the product


Note all labels, information signs and safety symbols on the product.

2.2 Safe operation

2.2.1 Authorized use

The authorized use of the ViSolid® 700 IQ (SW) consists of its use as a total suspended solids sensor in the IQ SENSORNET. Please observe the technical specifications according to chapter 7 TECHNICAL DATA. Only operation according to the instructions given in this operating manual is considered to be authorized.

Any other use is considered to be **unauthorized**. Unauthorized use invalidates any claims with regard to the guarantee.

NOTICE	
	<p>The sensor warms up during operation in the air. Consequently, pollution can collect in the vicinity of the measurement window due to the evaporation of liquid. Therefore, avoid any lengthy operation in the air.</p>

2.2.2 Requirements for safe operation

Note the following points for safe operation:



- The product may only be operated according to the authorized use specified above.
- The product may only be supplied with power by the energy sources specified in this operating manual.
- The product may only be operated under the environmental conditions specified in this operating manual.
- The product or its components may only be opened if this is required for installation and maintenance work and described in the operating manual.

2.2.3 Unauthorized use

The product must not be put into operation if:

- it is visibly damaged (e.g. after being transported)
- it was stored under adverse conditions for a lengthy period of time (storing conditions, see chapter 7 TECHNICAL DATA)



2.3 Hazardous location use (ViSolid® 700 IQ H)



	 DANGER
	<p>Explosion hazard. Only hazardous location rated sensor models ("Hazloc Sensor") must be used in hazardous locations. Read the name plate on the sensor shaft and verify that the sensor is rated for your specific application.</p>

Rated sensor models

The ViSolid® 700 IQ H (YSI-Order No. 207012Y) is rated for hazardous location use. Hazardous location rated sensors are identified by the name plate with the rating details engraved on the sensor shaft:

Name plate of a Hazloc sensor (example)

	
ViSolid 700 IQ H Hazloc Sensor Rated: Class I Division2 Group ##### Class I Zone 2 Group ##### ##### Control Drawing NO 28124	Intertek 2001759 CONFORMS TO ##### CERTIFIED TO ##### #####

	 DANGER
	<p>Explosion hazard. The associated apparatus MIQ/BB2 (YSI part no. 207002Y) has to be used for connection. Refer to the following documents for proper installation:</p> <ul style="list-style-type: none"> ● Control drawing, YSI document no. 28124 (see MIQ/BB2 operating manual) ● MIQ/BB2 operating manual ● All applicable electrical code regulations.

	 DANGER
	<p>Explosion hazard. This product does not meet the requirements of the directive 94/9/EC (ATEX).</p>

3 Commissioning

3.1 IQ SENSORNET system requirements

Software statuses of the controller and terminal components

The operation of the ViSolid® 700 IQ (SW) requires the following software versions in the IQ SENSORNET:



- MIQ/MC2 Controller software: Version 3.42 or higher
- MIQ/TC 2020 XT Terminal software: Version 3.42 or higher
- DIQ/S 182 Controller software: Version 3.47 or higher
- ViSolid® 700 IQ (SW) Sensor software: Version 2.50 or higher

3.2 Scope of delivery

- Total suspended solids sensor, ViSolid® 700 IQ (SW)
- Operating manual

3.3 Installation

3.3.1 Safety guidelines for installation in a hazardous location (H-models only)

	 DANGER
<p>Explosion hazard. Only hazardous location rated sensor models ("Hazloc Sensor") must be used in hazardous locations. Verify the rating on the product name plate on the sensor shaft. The associated apparatus MIQ/BB2 (YSI part no. 207002Y) has to be used for connection. Refer to the following documents for proper installation:</p> <ul style="list-style-type: none"> ● Control drawing, YSI document no. 28124 (see MIQ/BB2 operating manual) ● MIQ/BB2 operating manual ● All applicable electrical code regulations. 	

3.3.2 General information

The measuring principle of the ViSolid® 700 IQ (SW) (scattered light measurement) places specific requirements on the measurement location and on the installation of the sensor.

If there is a low level of total suspended solids (< 2000 mg/l SiO₂ or < 1000 mg/l TSS), infrared light penetrates deep into the sample. Thus, the measuring environment can have a significant effect on the measured value displayed. Light that is reflected or scattered by the ground or wall can strike the detector in the sensor and, thus, simulate an increased level of total suspended solids.

Scattered light can be kept away from the measurement windows to a great extent by favorable positioning of the sensor. Therefore, an optimum installation position is particularly important for the measurement of lower values of total suspended solids.



Always maintain a distance of at least 10 cm from the ground and wall.

The following factors affect the measurement of the TSS contents:

- Inclination of the sensor (see section 3.3.4)
- Sensor orientation around its longitudinal axis (see section 3.3.5)
- Distances from the ground and wall (see section 3.3.6)
- Light-colored, heavily light-scattering surfaces in the measuring vessel (e.g. vessel inner surfaces) or in the measuring environment.
- Unfavorable geometry of the measuring vessel or unfavorable positioning of the sensor in the measuring vessel.
- Spatial proximity of two optical sensors.
- Very bright ambient light at the measuring location, e.g. direct sunlight in the open channel

3.3.3 Flow direction

Generally, in flowing media, the measurement window should be clearly pitched towards the flow (angle of incidence approx. 20 to 45 °).

Exception: If there is a high proportion of foreign bodies with fibrous or flat profiles such as, e.g. hair, twines or foliage, it can be advantageous to tilt the sensor in the direction of flow so that the measurement window is turned away from the flow.

3.3.4 Sensor angle

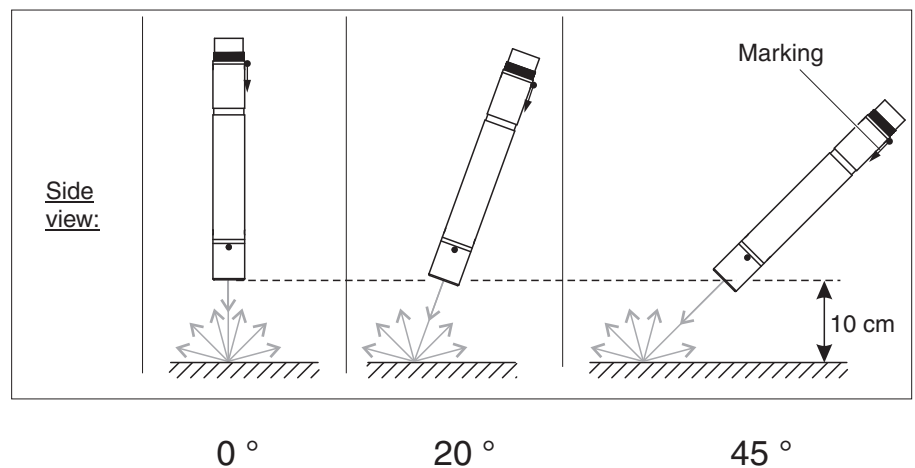


Fig. 3-1 Effect of the sensor angle on scattering and reflection from the ground and wall



Scattering and reflection are lowest at a sensor angle of 45° and at a minimum distance of 10 cm to the ground and walls (see section 3.3.6).

3.3.5 Sensor orientation

The sensor has a marking (arrow symbol on the shaft or glue dot on connection head). The infrared beam emerges from the front of the sensor at a small angle in the direction opposite the marking.

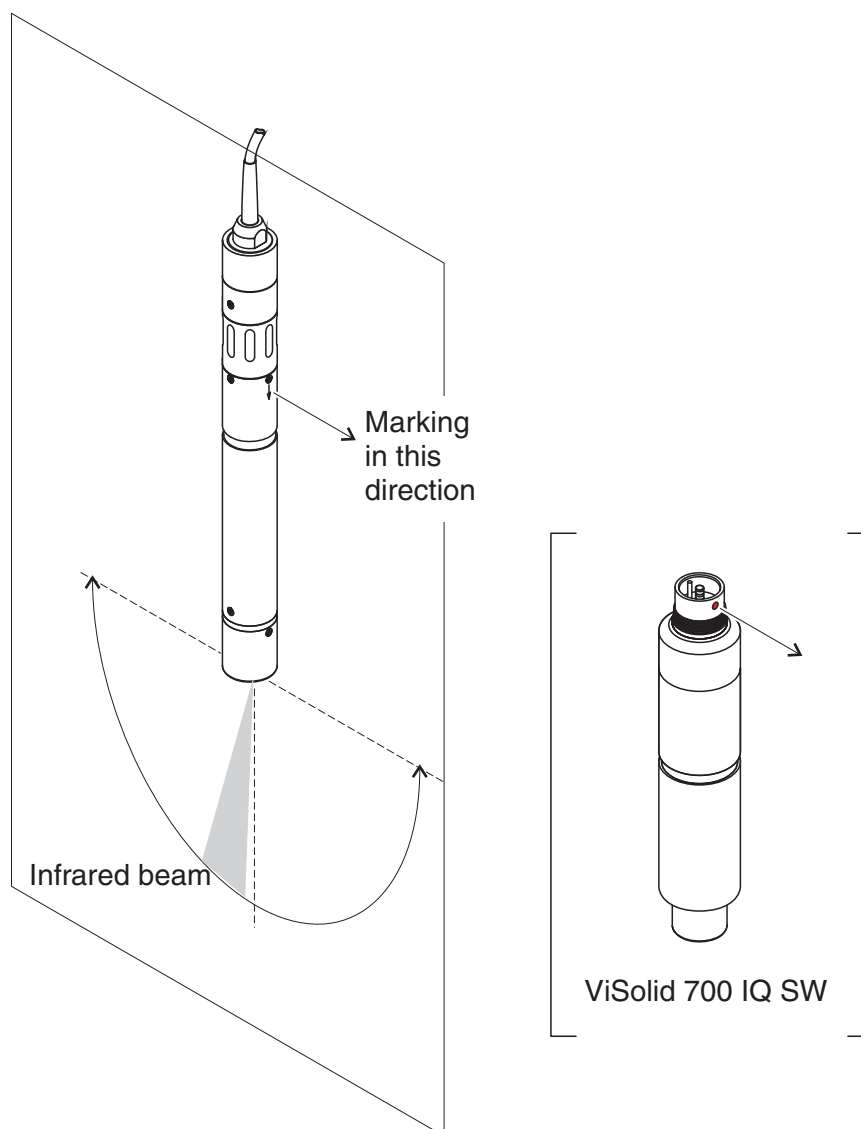


Fig. 3-2 Direction of the infrared beam relative to the marking

The angle of incidence to the ground and walls can be affected by rotating the sensor around its longitudinal axis. The sensor should be turned so that as little light as possible that is scattered or reflected by the wall or ground strikes the measurement window again.

3.3.6 Distances from the ground and wall



If there is a low level of total suspended solids (< 2000 mg/l SiO₂ or < 1000 mg/l TSS), the effects of the measurement environment can simulate a higher content of total suspended solids. The effect of the measurement environment can be reduced by ensuring the optimum conditions (see section 3.3.2).

The following graphic indicates the minimum distances of the measurement windows to the ground or wall, which must be observed. The effect of the distances on the measured value has been determined for various wall materials (aluminum, black plastic) in the case of a sensor placed vertically to the wall in drinking water or water with 1000 mg/l SiO₂.

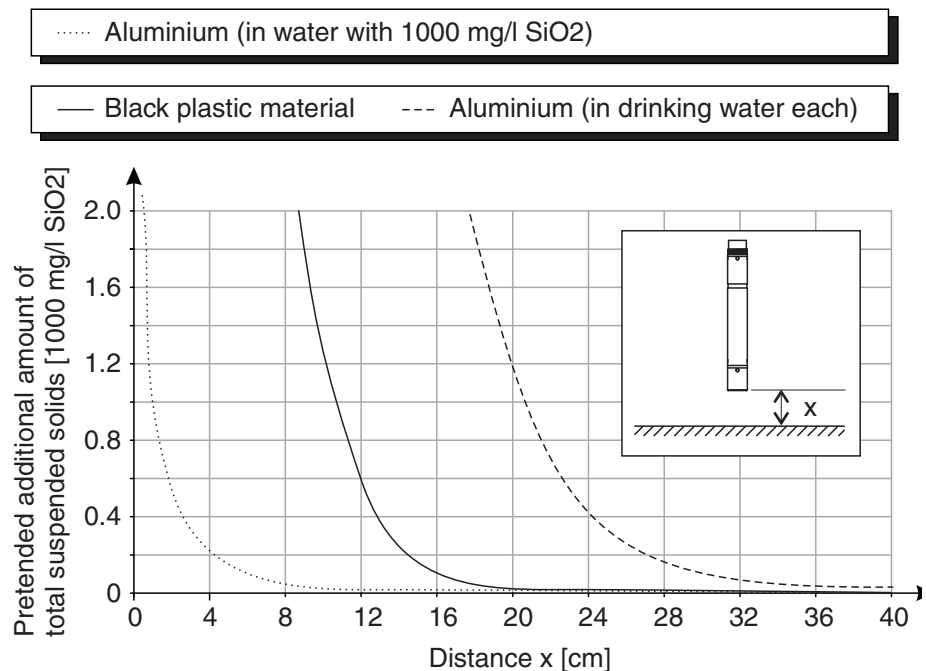


Fig. 3-3 Effect of ground and wall distances on the measurement of TSS



At low levels of total suspended solids, a minimum distance of at least 10 cm must be kept from the ground or wall.



If an optimum installation is not possible due to the structural conditions at the measuring location (e.g. in narrow pipelines), the effects of the measurement environment can be compensated by user calibration (see section 4.2.4).

3.4 Installation examples

As a rule, the ViSolid® 700 IQ (SW) will measure interference-free when the distances and angles etc. specified are observed. However, interferences at the measuring location (see section 3.3.2) may require special adaptations of the installation.

3.4.1 Measurement in an open pool or channel

Measurement in a pool

The total suspended solids sensor can be suspended in the pool on a chain (e.g. with EH/F 170 swing mounting assembly and EH/U 170 sensor holder). Make sure the sensor cannot bump against any walls or obstacles.

Alternatively, the sensor can be immersed in the sample using a pendulum mounting assembly, e.g. EH/P 170 pendulum mounting assembly, (please note the minimum immersion depth).

Measurement in a channel

In an open channel, the sensor can be immersed in the sample using a wall mounting assembly, e.g. EH/W 170 wall mounting assembly, (please note the minimum immersion depth).

Mount the sensor rigidly in the channel. At the same time, tilt the sensor approx. 45° against the direction of the flow.

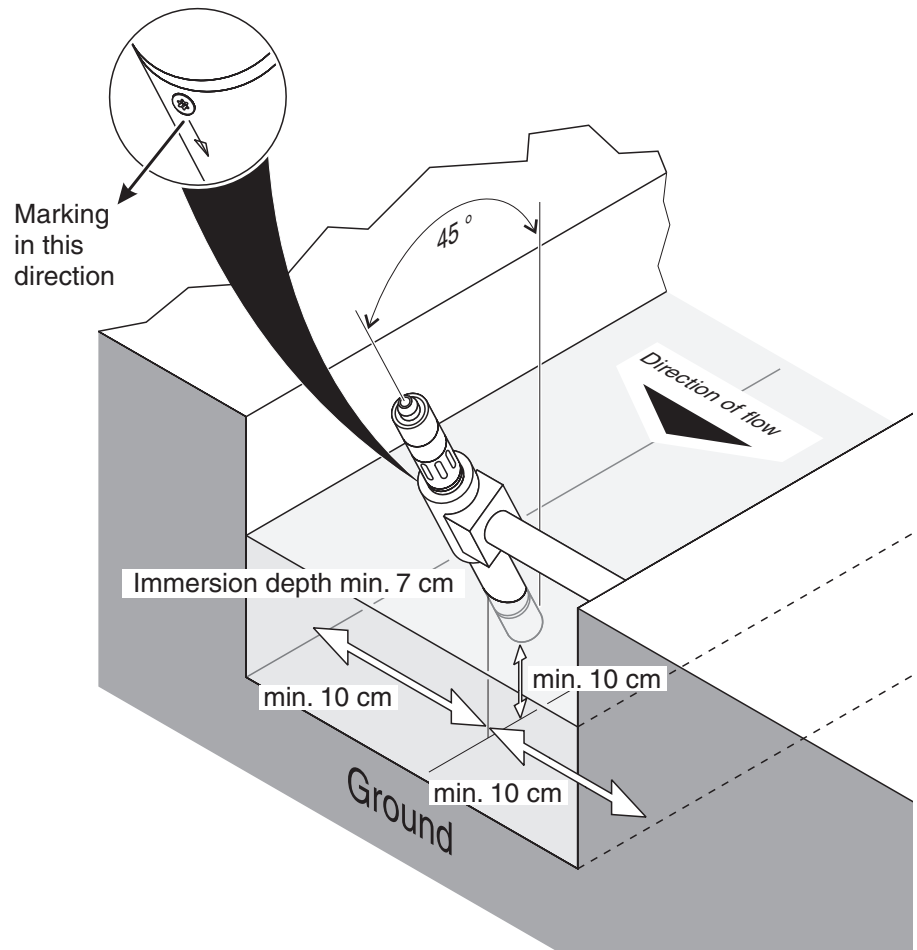


Fig. 3-4 Total suspended solids sensor in an open channel with wall mounting assembly, EH/W 170



For exceptions to the direction of flow, see section 3.3.3 FLOW DIRECTION.

3.4.2 Measurement in pipelines



If there is a low level of total suspended solids (< 2000 mg/l SiO₂ or < 1000 mg/l TSS), the effects of the measurement environment can simulate a higher content of total suspended solids. The effect of the measurement environment can be reduced by ensuring the optimum conditions (see section 3.3.2).



If an optimum installation is not possible due to the structural conditions at the measuring location (e.g. in narrow pipelines), the effects of the measurement environment can be compensated by user calibration (see section 4.2.4).

If deposits occur on the pipe walls, the calibration should be repeated at regular intervals.

**Example:
45 ° pipe installation**

The pipe should be straight for a length of approx. 25 cm beyond the installation location. Angled or tapered pipes can cause interference effects in the case of low levels of total suspended solids.

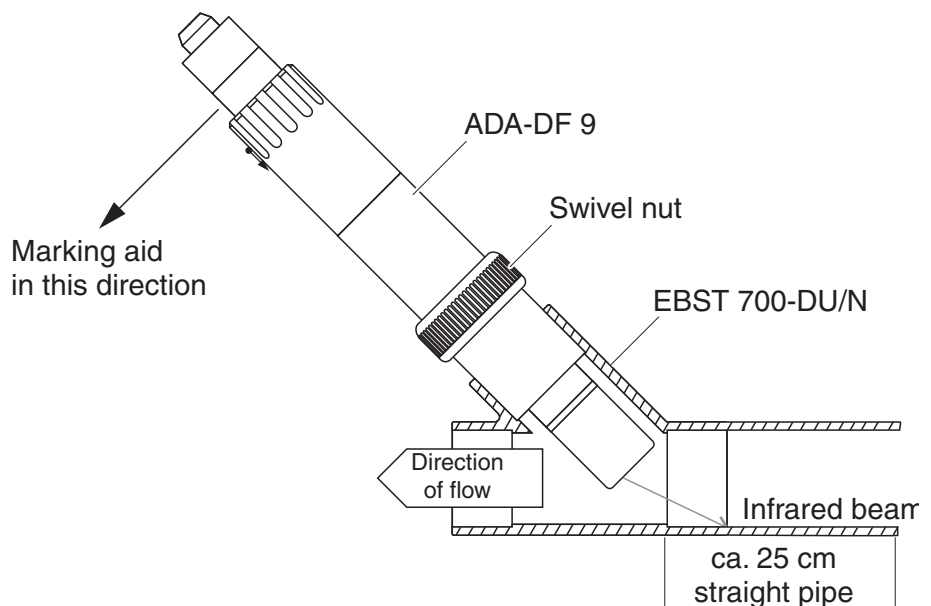


Fig. 3-5 Total suspended solids sensor in the pipe with EBST 700-DU/N flow-thru adapter

Fig. 3-5 shows the installation of the EBST 700-DU/N flow-thru adapter for installation in a pipeline (DN 50). The infrared beam points in the opposite direction to the direction of flow. The marking on the sensor points towards the pipeline (see Fig. 3-5).



For exceptions to the direction of flow, see section 3.3.3 FLOW DIRECTION.

**Example:
90 ° pipe installation**

Marking aid
in this direction

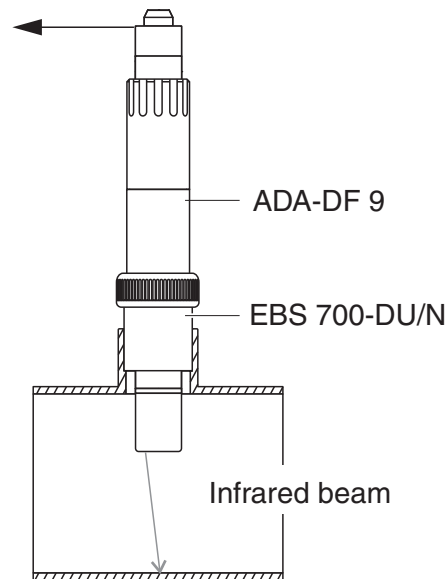


Fig. 3-6 Total suspended solids sensor in a pipe (90 °)

The following points must be observed for a right-angled installation in the pipe (Fig. 3-6):

- Rotate the sensor so that the marking on the sensor points in the direction of the pipe axis
- Select a position where the pipe diameter is as large as possible as the installation location (see section 3.3.6 DISTANCES FROM THE GROUND AND WALL).



In a 90° pipe installation with low levels of total suspended solids (< 2000 mg/l SiO₂ or < 1000 mg/l TSS), the effects of the measurement environment can have a particularly significant effect on the measured value. Ensure the optimum conditions of the measurement environment (see section 3.3.2).

Marking aid

1	Connect the SACIQ (SW) sensor connection cable to the plug head connector of the sensor and screw it tight (see section 3.5.1).
2	Attach a marking aid (adhesive strips or similar) in the same position as the marking on the sensor to the plug head connector.

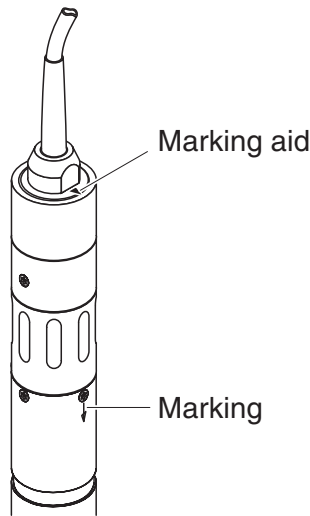


Fig. 3-7 Marking aid

- 3 Install the sensor in the flow-thru adapter with the aid of the ADA-DF 9 adapter (see operating manual of the adapter). To ensure the correct position, loosen the coupling ring on the EBST 700-DU/N somewhat and align the marking aid as shown in Fig. 3-5. Then, tighten the coupling ring.

3.5 Commissioning / Readiness for measuring

3.5.1 Connect the sensor

Connection cable

A sensor connection cable of the SACIQ or SACIQ SW type is required to connect the sensor. The cable is available in different lengths. Compared to the standard model SACIQ, the SACIQ SW sensor connection cable is optimized regarding its corrosion resistance in seawater and brackish water and adapted for use in conjunction with the ViSolid® 700 IQ SW. Information on this and other IQ SENSORNET accessories is given in the YSI catalog and on the Internet.

	⚠ DANGER
	<p>Explosion hazard. For hazardous location use only the cable types listed in the control drawing must be used.</p>



How to connect the SACIQ (SW) sensor connection cable to the terminal strip of a MIQ module is described in chapter 3 INSTALLATION of the IQ SENSORNET system operating manual.

Are the plug connections dry?

Before connecting the sensor and sensor connection cable, please make sure that the plug connections are dry. If moisture gets into the plug connections, first dry the plug connections (dab them dry or blow

them dry using compressed air).



Do not suspend the sensor on the sensor connection cable. Use a sensor holder or an armature. Information on this and other IQ SENSORNET accessories is given in the YSI catalog and on the Internet.

Connecting the sensor to the sensor connection cable

4	Take the protective caps off the plug connections of the sensor and the SACIQ sensor connection cable, and keep them safe.
5	Plug the socket of the SACIQ (SW) sensor connection cable onto the plug head connector of the sensor. At the same time, rotate the socket so that the pin in the plug head connector (1) clicks into one of the two holes in the jack.
6	Then screw the coupling ring (2) of the sensor connection cable onto the sensor up to the stop.

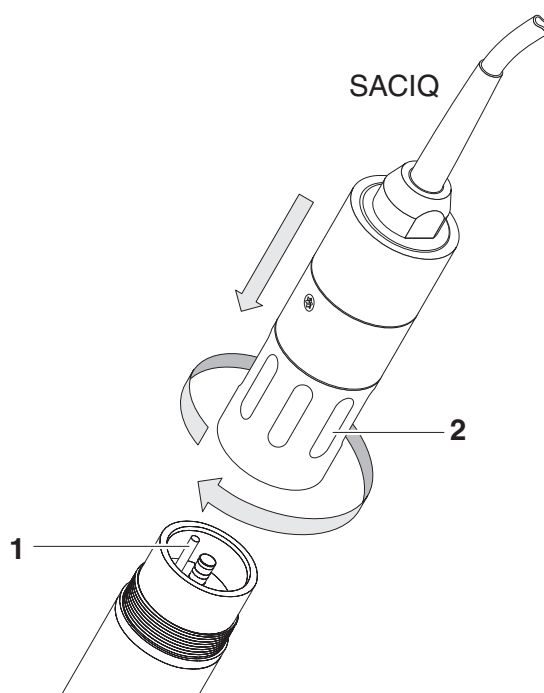


Fig. 3-8 Connect the sensor

3.5.2 Selecting the *Measuring mode*

Specify the following data in the *Measuring mode* setting

- Matrix type (1 or 2)
- Display (TSS or SiO₂)
- Unit (mg/l or %)

Determining the matrix type

Determine the matrix type for your application with the aid of the following table:

Measurement in mg/l TSS (total suspended solids)

Measuring medium:	Matrix type 1	Matrix type 2
Outflow of preclarification	X	
Activated slurry	X	
Return slurry	X	
Primary slurry		X
Sediment slurry		X
Concentrated slurry		X

Measurement in mg/l SiO₂ (silicon dioxide)

Measuring medium:	Matrix type 1	Matrix type 2
SiO ₂ content: 0 ... 25000 mg/l	X	
SiO ₂ content: 15000 ... 300000 mg/l		X



If the matrix type for a measuring medium cannot be determined using this table, select matrix type 1 and then carry out a user calibration (see section 4.2.4). If the graph of the value pairs corresponds to one of the forms 1 to 3 (see section 4.2.4), matrix type 1 is suitable. If the graph of the value pairs corresponds to form 4, matrix type 2 must be selected.

Factory settings

Measuring mode: *Mtrx.type1:mg/l TSS*
Measuring range: *AutoRange*

3.5.3 Setting table ViSolid® 700 IQ (SW)

Setting	Selection/values	Explanation
Measuring mode (see section 3.5.2)	<ul style="list-style-type: none"> ● <i>Mtrx.type1:mg/l TSS</i> ● <i>Matrix type1:% TSS</i> ● <i>Mtrx.type2:mg/l TSS</i> ● <i>Matrix type2:% TSS</i> ● <i>Mtrx.type1:mg/l SiO₂</i> ● <i>Matrix type1:% SiO₂</i> ● <i>Mtrx.type2:mg/l SiO₂</i> ● <i>Matrix type2:% SiO₂</i> 	<ul style="list-style-type: none"> – Content of total suspended solids in mg/l – Content of total suspended solids in % – Content of total suspended solids in mg/l – Content of total suspended solids in % – Content of SiO₂ in mg/l – Content of SiO₂ in % – Content of SiO₂ in mg/l – Content of SiO₂ in %
Signal averaging	1 ... 600 secs	Response time of the signal filter. Depending on the sample matrix, the measured values may oscillate more or less (e.g. due to foreign bodies or air bubbles). The signal filter reduces the limits of variation of the measured value. The signal filter is characterized by the signal averaging time. This is the time after which 90 % of a signal change is displayed.
Ultrasonic cleaning	On / On Off / On Pulse / On On / Off Off / Off Pulse / Off	Switches on or off the ultrasound cleaning and SenseCheck functions (<i>Pulse</i> = pulse operation).
Save and quit		The system confirms the saving of the settings and the display switches to the next higher level.
Quit		The display switches to the next higher level without saving the new settings.
TSS measuring mode: Calibration data	<ul style="list-style-type: none"> ● <i>Default calibration</i> ● <i>User calibration</i> 	<p>The factory calibration data for TSS are used (see section 4.2.2).</p> <p>User entered calibration data are used (see section 4.2.4).</p>
TSS measuring mode: Correction factor	0.50 ... 2.00	The <i>Correction factor</i> setting enables a simple calibration (see section 4.2.3).

Setting	Selection/values	Explanation
TSS measuring mode: Menu selection: User calibration	<ul style="list-style-type: none"> ● <i>Basic settings</i> ● <i>Value pairs 1..3</i> ● <i>Value pairs 4..6</i> ● <i>Value pairs 7..8</i> 	<p>Selection between the use of the basic settings and the entry of calibration value pairs.</p> <p>For the selection of the value pairs, fields open for the entry of the values <i>TSS value 1</i> to <i>TSS value 8</i>. and the individual values <i>SiO2 value 1</i> to <i>SiO2 value 8</i>.</p> <p>Starting with <i>TSS value 1</i>, determine and enter the content of total suspended solids in mg/l TSS, and, in the case of <i>SiO2 value 1</i>, enter the related measured SiO2 value.</p> <p>The input precision is 1 mg/l in each case.</p> <p><u>Note:</u> The values must be entered in descending order. If this sequence is not kept to, a calibration error is displayed after leaving the menu. All the entered values become invalid.</p>
TSS measuring mode: Measuring ranges	<ul style="list-style-type: none"> ● <i>0 ... 400.0 mg/l</i> ● <i>0 ... 4000 mg/l</i> ● <i>0 ... 25000 mg/l</i> 	Measuring range for the measuring mode <i>Mtrx.type1:mg/l TSS</i>
The setting <i>AutoRange</i> = automatic change-over of the measuring range can be selected in all measuring modes.	<ul style="list-style-type: none"> ● <i>0 ... 400.0 ppm</i> ● <i>0 ... 4000 ppm</i> ● <i>0 ... 2.500 %</i> 	Measuring ranges for the <i>Matrix type1:% TSS</i> measuring mode
	<ul style="list-style-type: none"> ● <i>0 ... 4000 mg/l</i> ● <i>0 ... 40000 mg/l</i> 	Measuring ranges for the <i>Mtrx.type2:mg/l TSS</i> measuring mode
	<ul style="list-style-type: none"> ● <i>0 ... 4000 ppm</i> ● <i>0 ... 4.000 %</i> ● <i>0 ... 40.00 %</i> ● <i>0 ... 100.0 %</i> 	Measuring ranges for the <i>Matrix type2:% TSS</i> measuring mode

Setting	Selection/values	Explanation
Measuring mode SiO ₂ : Measuring ranges	<ul style="list-style-type: none"> ● 0 ... 400.0 mg/l ● 0 ... 4000 mg/l ● 0 ... 25000 mg/l 	Measuring ranges for the <i>Mtrx.type1:mg/l</i> SiO ₂ measuring mode
The setting <i>AutoRange</i> = automatic change- over of the measur- ing range can be selected in all measuring modes.	<ul style="list-style-type: none"> ● 0 ... 400.0 ppm ● 0 ... 4000 ppm ● 0 ... 2.500 % 	Measuring ranges for the <i>Matrix type1:%</i> SiO ₂ measuring mode
	<ul style="list-style-type: none"> ● 0 ... 4000 mg/l ● 0 ... 40000 mg/l 	Measuring ranges for the <i>Mtrx.type2:mg/l</i> SiO ₂ measuring mode
	<ul style="list-style-type: none"> ● 0 ... 4000 ppm ● 0 ... 4.000 % ● 0 ... 30.00 % 	Measuring ranges for the <i>Matrix type2:%</i> SiO ₂ measuring mode

Carrying out settings

Switch to the main settings menu from the measured value display with **<S>**. Then navigate to the setting menu (setting table) of the sensor. The exact procedure is described in the relevant IQ SENSORNET system operating manual.

4 Measuring

The ViSolid® 700 IQ (SW) measures the light scattered and reflected by the total suspended solids in the measuring medium. The level of total suspended solids that corresponds to the amount of light measured is displayed. As different suspended solids scatter and reflect light in different ways, the display of a suspended solid contents in mg/l must be referred to a standard. A factory calibration to SiO₂ is stored in the sensor.

4.1 Measuring operation

1	Immerse the sensor in the measuring medium.
2	Read the measured value on the terminal of the IQ SENSOR NET system.



Large temperature differences between the sensor and measuring medium can falsify the measurement result. Thus, as a precaution during commissioning, wait for 15 minutes before using the measured value.



The allowed temperature of the measuring medium is 0 ... 60 °C. The ultrasound cleaning system automatically switches off if the temperature of the measuring medium increases to more than 60 °C. When the temperature drops below 60 °C, it switches itself on again. Switching off at temperatures above 60 °C prevents any overheating, for example if the minimum immersion depth of the sensor is not maintained.

4.2 Calibration for TSS measurement

4.2.1 General information

Why calibrate?

The following factors can change with time and affect the measurement results:

- the optical characteristics, e.g. color and particle size, and the density of the measuring medium (e.g. dependent on the season)
- the conditions at the measuring location (e.g. due to growing deposits on the ground and walls)

The effect of the measurement environment can be reduced by ensuring the optimum conditions (see section 3.3.2) and can be compensated by a user calibration (see section 4.2.4).

When to calibrate?

A new calibration is required if there is any change of the characteristics of the measuring medium or any change of the environment at the measuring location.



Calibration data that are entered are stored in the controller and, thus, assigned to the measuring location (and not the sensor). Thus, if the sensor is replaced, no new calibration is required.

How is a calibration carried out?

The actual level of total suspended solids of your measuring medium is determined by a reference measurement (e.g. gravimetric according to DIN 38414).

If the reference measurements do not deviate from the optically determined level of total dissolved solids of the ViSolid® 700 IQ (SW), the sensor is already optimally adapted to the measuring situation.

If the reference measurements deviate from the optically determined level of total dissolved solids of the ViSolid® 700 IQ (SW), a calibration is required.

The following calibration options are available:

- Calibration by adapting the *Correction factor* setting if the values displayed with *Default calibration* deviate from the actual values by a specific factor
- Performance of a *User calibration* if the values displayed with *Default calibration* and *Correction factor* no longer agree with the actual values

4.2.2 Default calibration

Default calibration for matrix type 1

The factory calibration curve for matrix type 1 was determined by measurements of typical activated and return slurries and can be used for similar applications after adaptation of the *Correction factor* setting (see section 4.2.3).



Below the smallest value, the calibration curves are extended to the zero point and, above the largest value, they are extended to the end of the measuring range.

Value pairs	1	2	3	4	5	6	7	8	9	10
Total suspended solids [1000 mg/l] TSS	17.57	15.55	11.62	8.80	6.21	4.42	3.39	2.40	0.77	0.25
SiO ₂ value [1000 mg/l] SiO ₂	7.16	7.05	6.52	5.85	4.86	3.91	3.22	2.60	1.37	0.61

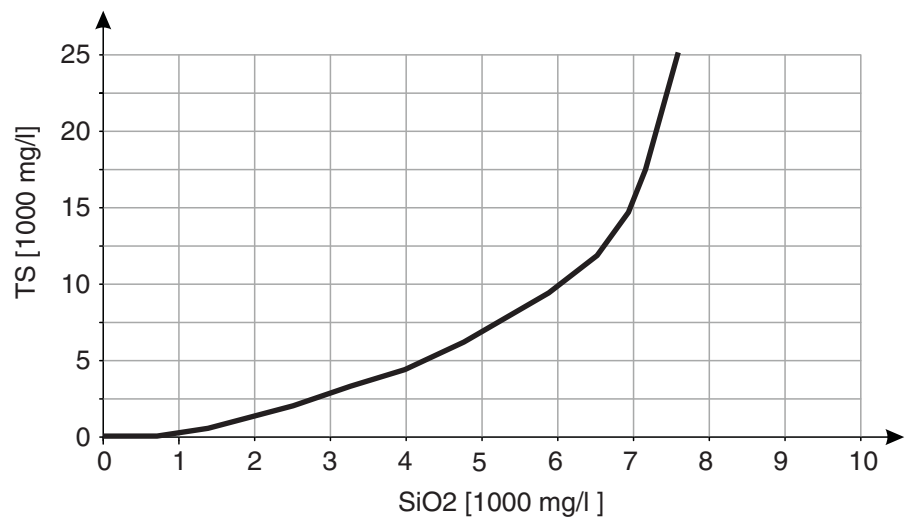


Fig. 4-1 Default calibration for matrix type 1

Default calibration for matrix type 2

The factory calibration curve for matrix type 2 was determined by measurements of typical decaying slurries and can be used for similar applications after adaptation of the *Correction factor* setting (see section 4.2.3).

Value pairs	1	2	3	4	5	6	7	8	9	10
Total suspended solids [1000 mg/l] TSS	100	59.40	32.00	20.70	14.90	9.97	5.26	2.37	1.48	0.41
SiO2 value [1000 mg/l] SiO2	7.62	7.16	6.26	5.60	5.00	4.28	3.19	1.73	1.13	0.32

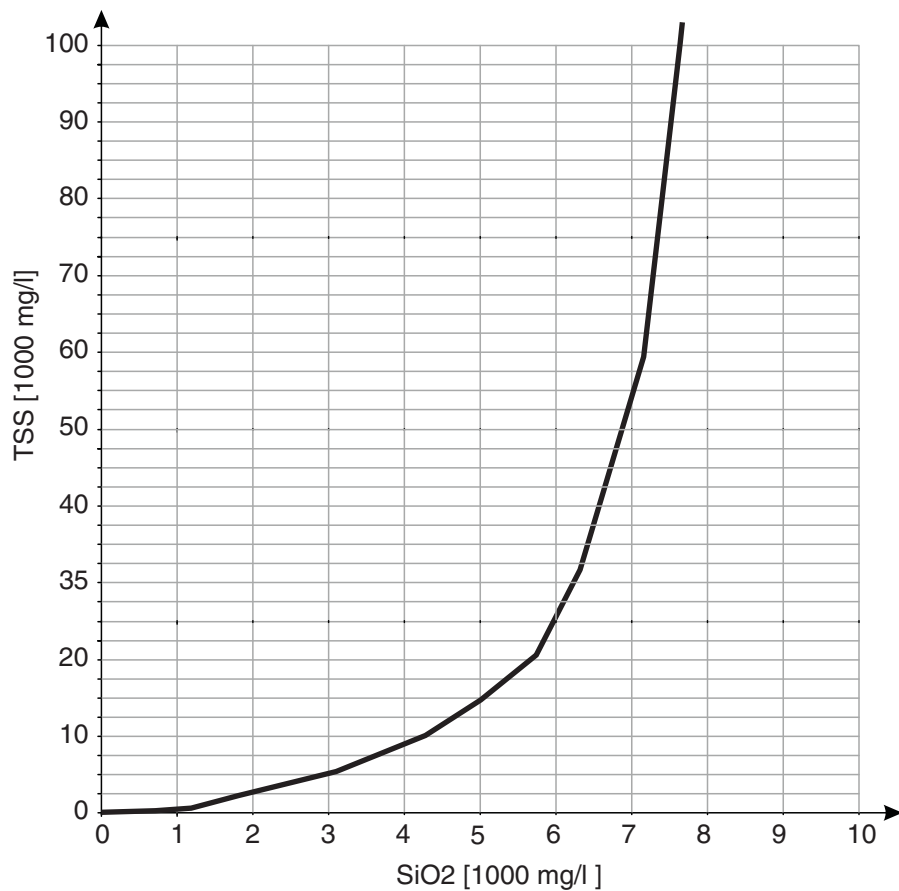


Fig. 4-2 Default calibration for matrix type 2

Influences

If there is a low level of total suspended solids (< 2000 mg/l SiO2 or < 1000 mg/l TSS), the effects of the measurement environment can simulate a higher content of total suspended solids. The effect of the measurement environment is minimized by exactly observing the installation position (see section 3.3.2).

If an optimum installation is not possible due to the structural conditions at the measuring location (e. g. in narrow pipelines), interference effects can be compensated by a *User calibration* (see section 4.2.4).

4.2.3 Correction factor

The setting of the *Correction factor* provides a simple option for adapting the calibration to the current conditions.

With the *Correction factor* setting you correct the measured value and have it indicated on the display.

A change of the *Correction factor* setting is practical if the measured values of the ViSolid® 700 IQ (SW) are generally too high or too low in comparison to reference measurements by a specific factor.

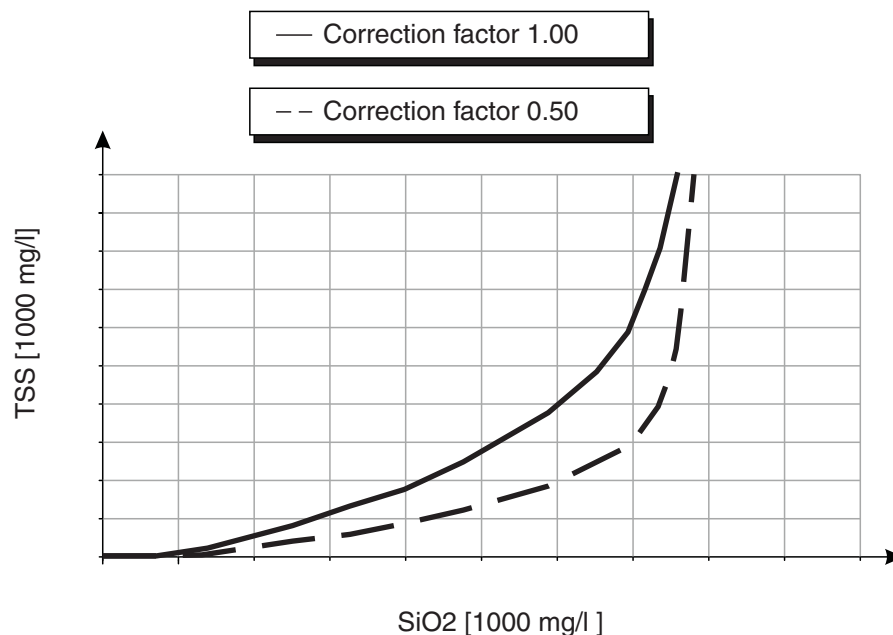


Fig. 4-3 Effect of the Correction factor on the displayed measured value

The *Correction factor* is calculated using the following formula:

$$F_N = F_A * S_R / S_V$$

Variable	Explanations
F_N	Correction factor, to be recalculated
F_A	Correction factor, currently set in the <i>Calibration data</i> menu
S_R	TSS value, newly determined from reference measurement
S_V	TSS value, newly determined from measurement with ViSolid® 700 IQ (SW)

**Determining the
Correction factor**

1	Bring the sensor into the measuring position.
2	In the setting table of the TSS sensor, note down the currently set <i>Correction factor</i> as the value for F_A .
3	Switch to the measured value display with <M> .
4	When the measured value is stable, read the TSS value, convert it into the unit (mg/l) if necessary, and note it down as the value for S_V .
5	Take a sample as close to the same time as the TSS measurement as possible and as close to the sensor as possible.
6	Determine the level of total suspended solids of the sample according to a reference procedure (e. g. gravimetric according DIN 38414), convert it into the unit (mg/l) if necessary, and note it down as the value for S_R .
7	Calculate the <i>Correction factor</i> . <div style="border: 1px solid black; padding: 5px; width: fit-content; margin: 10px auto;">$F_N = F_A * S_R / S_V$</div>

**Setting the Correction
factor**

8	Set the new <i>Correction factor</i> in the <i>Calibration data</i> menu (see section 3.5.3).
---	---



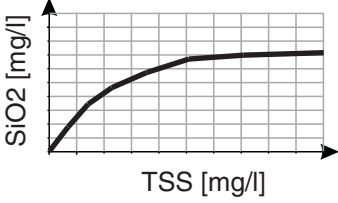
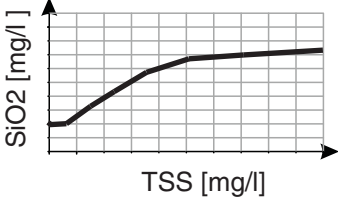
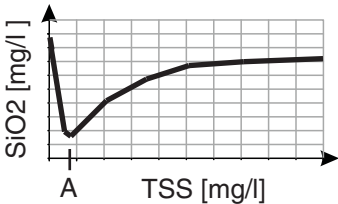
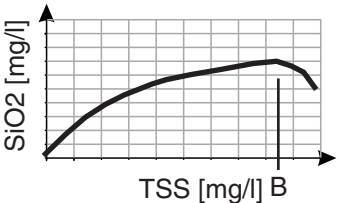
The *Correction factor* setting affects each TSS measuring mode and all calibration data. Also, if there is a change of the measuring mode or calibration data, the *Correction factor* is retained. Therefore, after every change of the settings in the *Calibration data* menu, check the *Correction factor*.

4.2.4 User calibration

The displayed values of total suspended solids are calculated with the aid of the stored calibration data. In the mg/l TSS measuring mode, the value mg/l SiO₂ marked with "#" is displayed as the secondary measured value.

The determination of the calibration value pairs is carried out by reference measurements according to an independent procedure. At the point of time of the calibration, the measuring medium should be in a state representative of the later measurement (type and amount of total suspended solids, coloration, etc.). The results from the calibration are manually entered in the setting table of the ViSolid® 700 IQ (SW).

Effect of the measurement environment on the graph of the value pairs TSS (laboratory) - SiO₂ (ViSolid® 700 IQ (SW))

Graphs of the value pairs	Explanations
	<p>Form 1: The graph has a gradient > 0 at every point. A calibration is possible for the whole range.</p>
	<p>Form 2: The graph has a gradient > 0 at every point. At very low levels of TSS, the effect of the measurement environment leads to slightly increased values of SiO₂. A calibration is possible for the whole range.</p>
	<p>Form 3: The graph has a gradient < 0 in the range of smaller levels of TSS. The effect of the measurement environment leads to greatly increased values of SiO₂ in the range of smaller TSS below the point (A). A calibration is only possible in the range TSS $> A$.</p>
	<p>Form 4: The graph has a gradient < 0 in the range of greater levels of total suspended solids. A calibration for matrix type 1 is only possible in the range of TSS $< B$. For measurements in the range of TSS $> B$, select matrix type 2.</p>



A measurement of the total suspended solids will deliver ever more accurate measurement results the closer the composition of the measuring medium corresponds to the status at the time of the calibration. If there is a fundamental change of the characteristics of the sample, a new calibration may be necessary.

Procedure of the calibration

1	Bring the sensor into the measuring position.
2	In the setting table of the TSS sensor, select the mg/l TSS measuring mode and the <i>AutoRange</i> measuring range (see section 3.5.3).
3	Switch to the measured value display with <M> .
4	When the measured value is stable, read the SiO ₂ value (marked with "#"), convert it into the unit (mg/l) if necessary, and note it down.
5	Take a sample as close to the same time as the SiO ₂ measurement as possible and as close to the sensor as possible.
6	Determine the level of total suspended solids of the sample according to a reference procedure (e.g. gravimetric according to DIN 38414) and note it down together with the measured value of SiO ₂ as the TSS/SiO ₂ value pair in mg/l.



At least one value pair and a maximum of eight value pairs can be entered for a valid calibration. Keeping to the descending order of values is very important. Not keeping to the order will result in a calibration error.

7	For a multi-point calibration: Repeat the determination of the value pair for various concentrations of the sample.
---	--



Samples of different concentrations of total suspended solids can be obtained from the sample taken by:

- diluting it with water
- depositing the total suspended solids and decanting off the remaining water

Before measuring the samples, make sure that the total suspended solids are actually in suspension.

8	Sort the value pairs in descending order and, if necessary, enter them in a table and diagram (see chapter 10).
---	---



Below the smallest value, the calibration curve is extended to the zero point and, above the largest value, it is extended to the end of the measuring range.

9	<p>Check the form of the calibration curve. If the calibration curve corresponds to form 3,</p> <ul style="list-style-type: none"> ● change the conditions at the measuring location and determine the calibration values again or ● do not carry out any measurements in the range below the turning point (A).
10	<p>In measuring mode with matrix type 1: If individual calibration values lie outside the measuring range,</p> <ul style="list-style-type: none"> ● change the conditions at the measuring location and determine the calibration values again or ● select measuring mode for matrix type 2



The entry of calibration values that exceed the measuring range leads to a calibration error. The size of the measuring range is dependent on the selected measuring mode (matrix type) (see section 3.5.3).

Entering the *Calibration data*

11	Switch to the setting table of the TSS sensor.
12	Change to the <i>Calibration data</i> menu with <▲▼◀▶> and <OK>.
13	Select the <i>User calibration</i> menu item with <▲▼◀▶> and <OK>.
14	Select the <i>Menu selection</i> menu item with <▲▼◀▶> and <OK>.
15	Select the <i>Value pairs 1..3</i> menu item with <▲▼◀▶> and <OK>.



For examples of valid value pair data, see section 4.2.2. A maximum of 8 value pairs can be entered for the *User calibration*.

16	Select the <i>TSS value 1</i> menu item with <▲▼◀▶> and <OK>.
----	---

17	Enter the value for the contents of total suspended solids (TSS in mg/l) from the reference measurement with <▲▼◀▶> and <OK>.
18	Select the <i>SiO2 value 1</i> menu item with <▲▼◀▶> and <OK>.
19	Enter the associated SiO2 value (SiO2 in mg/l) measured with the ViSolid® 700 IQ (SW) with <▲▼◀▶> and <OK>.
20	Repeat steps 13 - 18 until the required number of value pairs (between 1 and 8) has been entered.
21	Terminate the entry of the calibration data with <i>Save and quit</i> .



To simplify the settings when entering the calibration data, standardized high resolutions of 1 mg/l are possible. However, it is not sensible to use these in all cases.

The calibration data entered are evaluated by the system. The entry of the calibration value pairs can have the following results:

**Results after entry of
Calibration data**



Possible displays	Log book entries (meaning/actions)
Measured value display	Successful new valid calibration value pairs were entered for the sensor.
"----"	Calibration value pairs not accepted. Sensor blocked for measurement. <ul style="list-style-type: none"> - Enter the values again making sure that they are entered in descending order - Viewing the log book entry.



Information on the contents and structure of the log book and how you can call it up is given in the LOG BOOK chapter of the IQ SENSORNET system operating manual.

5 Maintenance, cleaning, accessories

5.1 General information

	 WARNING
	<p>Chemical or biological hazard. Contact with the sample can be harmful to the user. Depending on the type of sample, suitable protective measures must be taken (protective clothing, goggles, etc.).</p>

The ViSolid® 700 IQ (SW) sensor does not usually require any maintenance. The continuously running ultrasound system prevents the accumulation of pollution right from the start.



If the sensor remains in the sample for any length of time when the system is not operating, we recommend to clean the shaft and measurement windows.


5.2 Cleaning the sensor shaft and measurement windows

During normal operation (e.g. municipal wastewater), cleaning is recommended:

- if there is any pollution (according to visual check)
- if the sensor was not in operation for a lengthy period of time but was immersed in the measuring medium
- if the measured values are suspected of being incorrect (usually too low)
- if the SensCheck message appears in the log book (when using samples of matrix type 1)
- for regular cleaning (when using samples of matrix type 2)
- if there is any suspicion that the measurement window is polluted, e.g. by dried on dirt during operation in the open air

Cleaning agents

Contamination	Cleaning agents
Sludge and loosely adhering dirt or biological films	Soft cloth or soft brush, warm tap water with detergent
Salt and / or lime deposits	Acetic acid (volume percentage = 20 %), soft cloth or soft sponge


	⚠ CAUTION
	<p>Acetic acid irritates the eyes and the skin. When handling acetic acid, always wear protective gloves and protective goggles.</p>



We do not recommend unscrewing the sensor from the sensor connection cable when cleaning the sensor shaft and measurement window. Otherwise, moisture and/or dirt can get into the plug connection where it can cause contact problems.

If you need to disconnect the sensor from the sensor connection cable, please note the following points:

- Before disconnecting the sensor from the SACIQ (SW) sensor connection cable, remove any larger pieces of contamination from the sensor, particularly in the area of the plug connection (brush it off in a bucket of tap water, wash it off with a hose or wipe it off with a cloth).
- Unscrew the sensor from the SACIQ (SW) sensor connection cable.
- Always place a protective cap on the plug head of the sensor and on the SACIQ (SW) sensor connection cable so that no moisture or dirt can get into the contacting surfaces. It is included in the standard scope of delivery of the SACIQ SW sensor connection cable.
- In corrosive environments, close the socket of the sensor connection cable with the screwable SACIQ-Plug when it is dry in order to protect the electrical contacts from corrosion. The protective plug is available as an accessory (see section 5.3 ACCESSORIES).

	NOTICE
	<p>The sensor warms up during operation in the air. Consequently, pollution can collect in the vicinity of the measurement window due to the evaporation of liquid. Therefore, avoid any lengthy operation in the air.</p>

Cleaning

1	Pull the sensor out of the sample.
2	Remove any coarse pollution from the sensor (by brushing it off in a bucket of tapwater, spraying it off with a hose or wiping with a cloth).
3	Clean the sensor shaft and the measurement window as described in the section CLEANING AGENTS.
4	Then, rinse it thoroughly with tap water.

5.3 Accessories

Description	Model	Order no.
Screwable plug for sensor connection cable	SACIQ-Plug	480 065Y



Information on other IQ SENSOR NET accessories is given in the YSI catalog and on the Internet.

6 What to do if ...

Mechanical damage to the sensor

Cause

Remedy

- Return the sensor

Display always shows "0"

Cause

Remedy

- First calibration value pair incomplete

- Enter the TSS value for the first calibration value pair

TSS display does not correspond to the TSS value according to the laboratory determination

Cause

Remedy

- Correction factor incorrectly set

- Set up the correction factor again: Correction factor = TSS value (laboratory) / TSS value (display)

Display of OFL

Cause

Remedy

- Measuring range exceeded
- First calibration value pair incomplete
- Two identical SiO₂ values entered one after the other

- See log book
- Enter the SiO₂ value for the first calibration value pair
- Enter the value pairs in descending order

Display of "----"

Cause

Remedy

- Measured value invalid
- Incorrect calibration value entered

- See log book
- Correct the calibration values and enter them again

**Display of main parameter TSS: "----"
Secondary parameter SiO₂: "OFL"**

Cause

Remedy

- The optical measuring range for SiO₂ is exceeded. The display of a valid TSS measured value is not possible.

- See log book (message code EA6243, see section 8.1.1)

Measured value fluctuating heavily

Cause

Remedy

- There are bubbles of gas in the medium in front of the measurement windows

- Check the installation position of the sensor (see section 3.3 and section 3.4)

	Cause	Remedy
	<ul style="list-style-type: none"> – Signal averaging time too short for low values of total suspended solids – Inhomogeneous measuring medium 	<ul style="list-style-type: none"> – Increase signal averaging time
Measured values too low	<ul style="list-style-type: none"> – Measurement window dirty 	<ul style="list-style-type: none"> – Clean the measurement window (see section 5.2)
Measured values too high	<ul style="list-style-type: none"> – There are bubbles of gas in the medium in front of the measurement windows – Light scattering on the walls – Measurement window dirty 	<ul style="list-style-type: none"> – Check the installation position of the sensor (see section 3.3 and section 3.4) – Check the installation position of the sensor (see section 3.3 and section 3.4) – If necessary, compensate for any effects that cannot be cleared by calibration – Clean the measurement window (see section 5.2)

7 Technical data

7.1 Measuring characteristics

Measuring principle

Procedure for measuring scattered light.

Measurement in following units:

- mg/l TSS (total suspended solids)
- % TSS (total suspended solids)
- mg/l SiO₂
- % SiO₂

Measuring ranges and resolutions

Measured parameter	Measuring ranges	Resolution
mg/l TSS	<i>0 ... 400.0 mg/l</i>	0.1 mg/l
	<i>0 ... 4000 mg/l</i>	1 mg/l
	<i>0 ... 25000 mg/l</i>	1 mg/l
	<i>0 ... 40000 mg/l</i>	1 mg/l
% TSS	<i>0 ... 400.0 ppm</i>	0.1 ppm
	<i>0 ... 4000 ppm</i>	1 ppm
	<i>0 ... 2.500 %</i>	0.001 %
	<i>0 ... 4.000 %</i>	0.001 %
	<i>0 ... 40.00 %</i>	0.01%
	<i>0 ... 100.0 %</i>	0.1%
mg/l SiO ₂	<i>0 ... 400.0 mg/l</i>	0.1 mg/l
	<i>0 ... 4000 mg/l</i>	1 mg/l
	<i>0 ... 25000 mg/l</i>	1 mg/l
	<i>0 ... 40000 mg/l</i>	1 mg/l
% SiO ₂	<i>0 ... 400.0 ppm</i>	0.1 ppm
	<i>0 ... 4000 ppm</i>	1 ppm
	<i>0 ... 2.500 %</i>	0.001 %
	<i>0 ... 4.000 %</i>	0.001 %
	<i>0 ... 30.00 %</i>	0.01 %

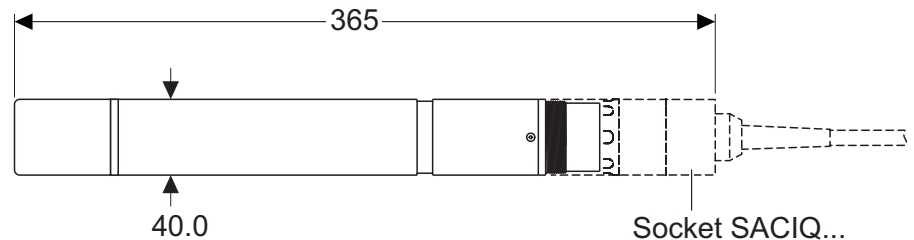
7.2 Application characteristics

Allowed temperature range	Measuring medium	0 °C ... + 60 °C (32 ... 140 °F)
	Storage/transport	- 5 °C ... + 65 °C (23 ... 149 °F)
Allowed pH range of the measuring medium	4 ... 12	
Pressure resistance	Sensor with connected SACIQ (SW) sensor connection cable:	
	Max. allowed overpressure	10 ⁶ Pa (10 bar)
	Max. allowed underpressure	temporarily 5 x 10 ⁴ Pa (0,5 bar)
	The sensor fulfills all requirements according to article 3(3) of the directive 97/23/EC ("pressure equipment directive").	
Type of protection	Sensor with connected SACIQ (SW) sensor connection cable: IP 68, 10 bar (10 ⁶ Pa)	
Depth of immersion	min. 10 cm; max. 100 m depth	
Operating position	see section 3.3 INSTALLATION	
Fields of application	Water and wastewater monitoring	

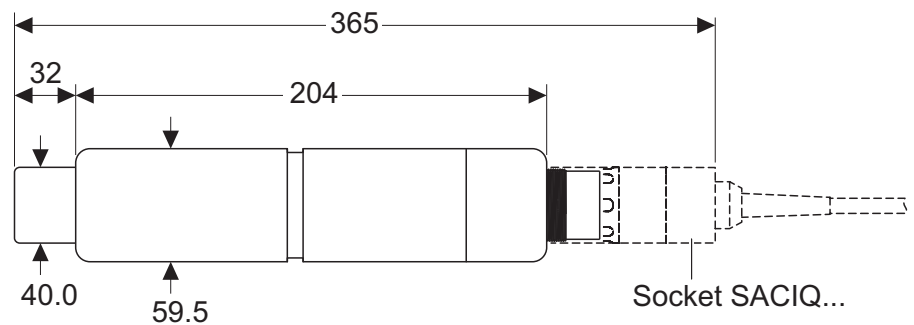
7.3 General data

Dimensions (in mm)

ViSolid 700 IQ (H):



ViSolid 700 IQ SW:



Weight (without sensor connection cable)

ViSolid® 700 IQ (H)	approx. 990 g
---------------------	---------------

VisoTurb® 700 IQ SW	approx. 1420 g
---------------------	----------------

Connection technique

Connection using SACIQ (SW) sensor connection cable

Material

Shaft:

- | | |
|-----------------------|------------------------------|
| - ViSolid® 700 IQ (H) | V4A stainless steel 1.4571 * |
| - ViSolid® 700 IQ SW | POM |

Sensor head:

- | | |
|-----------------------|------------------------------|
| - ViSolid® 700 IQ (H) | V4A stainless steel 1.4571 * |
| - ViSolid® 700 IQ SW | Titanium |

Measurement window	Sapphire
--------------------	----------

Plug head connector housing	POM
-----------------------------	-----

Plug, 3-pole	ETFE (blue) Tefzel®
--------------	---------------------

* Stainless steel can be susceptible to corrosion at chloride concentrations of ≥ 500 mg/l and more. We recommend to use SW sensors for applications in such test solutions.

Material

Shaft	V4A stainless steel 1.4571 *
-------	------------------------------

Measurement window	Sapphire
Plug head connector housing	POM
Plug, 3-pole	ETFE (blue) Tefzel®

* Stainless steel can be susceptible to corrosion at chloride concentrations of ≥ 500 mg/l and more.

Cleaning system

Ultrasound principle

Automatic sensor monitoring

(SensCheck function)

- Identification of any measurement fault (in matrix type 1)
- Identification of any failure of the cleaning system

7.4 Instrument safety

7.4.1 General instrument safety

Applicable norms	<ul style="list-style-type: none"> – UL 61010-1 – CAN/CSA C22.2 # 61010.1
------------------	---

7.4.2 Hazardous location ratings (H models)

Applicable directives and standards

In addition to the standards listed in chapter 7.4.1, the ViSolid® 700 IQ H conforms to the following directives and standards:

- ANSI/ISA-12.12.01
- CAN/CSA C22.2 # 213

The ViSolid® 700 IQ H is a non-incendive electrical equipment for use in Class I Division 2 hazardous locations.

Hazardous location rating

ViSolid® 700 IQ H	Class I Division 2 Group D T6 Class I Zone 2 Group IIA T6
Associated apparatus	MIQ/BB2, YSI part no. 207002Y
Control Drawing	YSI document no. 28124

7.5 Electrical data

Rated voltage (non-H models)	24 V DC via the IQ SENSORNET (for more details, see chapter TECHNICAL DATA of the IQ SENSORNET sys- tem operating manual)
Voltage range (ViSolid® 700 IQ H)	14 V DC ... 24 V DC via the MIQ/BB2 barrier box (=associated apparatus)
Power consumption	1.5 W
Protective class	III

8 Indexes

8.1 Explanation of the messages

This chapter contains a list of all the message codes and related message texts that can occur in the log book of the IQ SENSORNET system for the ViSolid® 700 IQ (SW) sensor.



Information on

- the contents and structure of the log book and
- the structure of the message code

is given in the LOG BOOK chapter of the IQ SENSORNET system operating manual.



All message codes of the ViSolid® 700 IQ (SW) end with the number "342".

8.1.1 Error messages

Message code	Message text
EA2342	<i>Sensor temperature too high!</i> <i>* Check process and application</i>
EA3342	<i>Sensor temperature too low!</i> <i>* Check process and application</i>
EA6342	<i>Meas. range exceeded or undercut</i> <i>* Check process</i> <i>* Select other meas. range</i> <i>* Submerge sensor in sample</i> <i>* Select bubble-free spot for measurement</i> <i>* Remove any foreign matter from sensor</i> <i>* Avoid influence of large foreign matter</i> <i>* Clean sensor</i> <i>* Increase signal average time</i>
EA7342	<i>Ultrasound cleaning system switched off</i> <i>* Check sample temperature</i> <i>* Submerge sensor in sample</i>

Message code	Message text
EC2342	<p>User calibration error, check TSS/SiO₂ pairs of variates</p> <ul style="list-style-type: none"> * All TSS values within measuring range? (see operating manual) * At least one value pair entered? * All TSS and SiO₂ values entered? * All TSS/SiO₂ pairs in descending order? * Pair 1 = highest TSS and SiO₂ value?
EI1342	<p>Operational voltage too low</p> <ul style="list-style-type: none"> * Check installation and cable lengths, Follow installation instructions * Power unit(s) overloaded, add power unit(s) * Defective components, replace components
EI2342	<p>Operational voltage too low, no operation possible</p> <ul style="list-style-type: none"> * Check installation and cable lengths, Follow installation instructions * Power unit(s) overloaded, add power unit(s) * Check terminal and module connections * Defective components, replace components
ES1342	<p>Component hardware defective</p> <ul style="list-style-type: none"> * Contact service
ESD342	<p>SensCheck: Measurement interfered</p> <ul style="list-style-type: none"> * Submerge sensor in sample * Select bubble-free spot for measurement * Remove any foreign matter from sensor * Avoid influence of large foreign matter * Clean sensor * Increase signal average time
ESE342	<p>SensCheck: Ultrasound cleaning system has failed</p> <ul style="list-style-type: none"> * Return sensor for repair

8.1.2 Info messages

Message code	Message text
IA1342	<p>Ultrasound cleaning system switched on</p> <ul style="list-style-type: none"> * Check sensor visually * Clean sensor if necessary

8.2 Status info

The status info is a piece of coded information about the current state of a sensor. Each sensor sends this status info to the controller. The status info of sensors consists of 32 bits, each of which can have the value 0 or 1.

Status info, general structure	<div style="display: flex; justify-content: space-between; border-bottom: 1px solid black; margin-bottom: 5px;"> 0 1 2 3 4 5 6 7 8 9 10 11 12 13 14 15 </div> <table border="1" style="border-collapse: collapse; width: 100%; text-align: center;"> <tr> <td style="padding: 2px 5px;">1</td><td style="padding: 2px 5px;">0</td><td style="padding: 2px 5px;">0</td><td style="padding: 2px 5px;">0</td><td style="padding: 2px 5px;">0</td><td style="padding: 2px 5px;">0</td><td style="padding: 2px 5px;">0</td><td style="padding: 2px 5px;">0</td> <td style="padding: 2px 5px;">0</td><td style="padding: 2px 5px;">0</td><td style="padding: 2px 5px;">0</td><td style="padding: 2px 5px;">0</td><td style="padding: 2px 5px;">0</td><td style="padding: 2px 5px;">0</td><td style="padding: 2px 5px;">0</td><td style="padding: 2px 5px;">0</td> </tr> <tr> <td colspan="8" style="padding: 2px 5px;">(general)</td> <td colspan="8" style="padding: 2px 5px;">(internal)</td> </tr> <tr> <td style="padding: 2px 5px;">0</td><td style="padding: 2px 5px;">0</td><td style="padding: 2px 5px;">0</td><td style="padding: 2px 5px;">0</td><td style="padding: 2px 5px;">0</td><td style="padding: 2px 5px;">0</td><td style="padding: 2px 5px;">0</td><td style="padding: 2px 5px;">0</td> <td style="padding: 2px 5px;">0</td><td style="padding: 2px 5px;">0</td><td style="padding: 2px 5px;">0</td><td style="padding: 2px 5px;">0</td><td style="padding: 2px 5px;">0</td><td style="padding: 2px 5px;">0</td><td style="padding: 2px 5px;">0</td><td style="padding: 2px 5px;">0</td> </tr> </table> <div style="display: flex; justify-content: space-between; margin-top: 5px;"> 16 17 18 19 20 21 22 23 24 25 26 27 28 29 30 31 </div>	1	0	0	0	0	0	0	0	0	0	0	0	0	0	0	0	(general)								(internal)								0	0	0	0	0	0	0	0	0	0	0	0	0	0	0	0
1	0	0	0	0	0	0	0	0	0	0	0	0	0	0	0																																		
(general)								(internal)																																									
0	0	0	0	0	0	0	0	0	0	0	0	0	0	0	0																																		

The bits 0 - 15 are reserved for general information.
The bits 16 - 21 are reserved for internal service information.

You obtain the status info:

- via a manual query in the menu, *Einstellungen/Setup/Service/List of all components* (see system operating manual)
- via an automated query
 - of a superordinate process control (e. g. when connected to the Profibus)
 - of the IQ Data Server (see operating manual of the IQ SENSORNET software pack)



The evaluation of the status info, e.g. in the case of an automated query, has to be made individually for each bit.

ViSolid® 700 IQ (SW) Status info

Status bit	Explanation
Bit 0	<i>Component hardware defective</i>
Bit 1	<i>SensCheck: Measurement interfered</i>
Bit 2	<i>SensCheck: Ultrasound cleaning system has failed</i>
Bit 3-31	-

9 Contact Information

9.1 Ordering & Technical Support

Telephone: (800) 897-4151
(937) 767-7241
Monday through Friday, 8:00 AM to 5:00 PM ET

Fax: (937) 767-1058

Email: environmental@ysi.com

Mail: YSI Incorporated
1725 Brannum Lane
Yellow Springs, OH 45387
USA

Internet: www.ysi.com

When placing an order please have the following information available:

YSI account number (if available)	Name and Phone Number
Model number or brief description	Billing and shipping address
Quantity	Purchase Order or Credit Card

9.2 Service Information

YSI has authorized service centers throughout the United States and Internationally. For the nearest service center information, please visit www.ysi.com and click 'Support' or contact YSI Technical Support directly at 800-897-4151.

When returning a product for service, include the Product Return form with cleaning certification. The form must be completely filled out for an YSI Service Center to accept the instrument for service. The Product Return form may be downloaded at www.ysi.com and clicking on the 'Support' tab.

10 Appendix

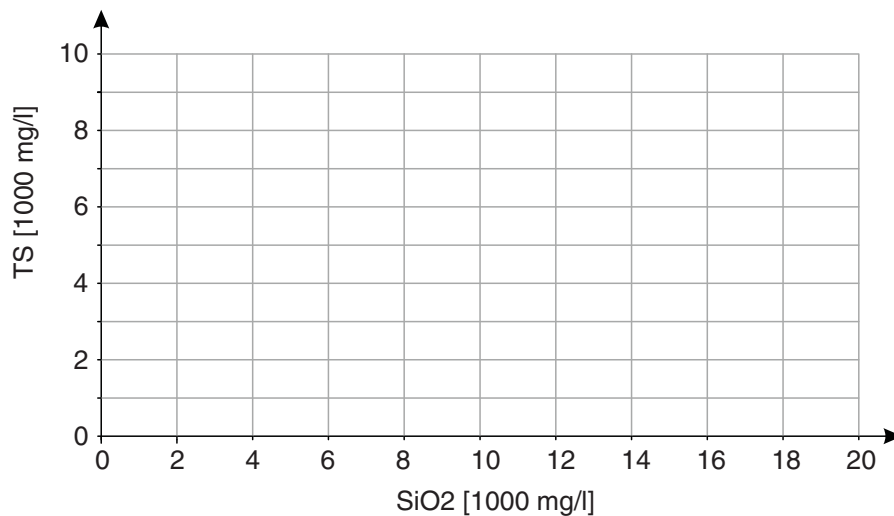
10.1 Check calibration values

By checking the value pairs, possible calibration errors can already be avoided before the entry of the calibration value pairs.

Carry out a check using the EC2342 message text:

- * All TSS values within measuring range?
(see operating manual)
- * At least one value pair entered?
- * All TSS and SiO₂ values entered?
- * All TSS/SiO₂ pairs in descending order?
- * Pair 1 = highest TSS and SiO₂ value?

Sequence	Max. value				->	Min. values			
	1	2	3	4		5	6	7	8
Value pairs									
Total suspended solids [mg/l] TSS									
SiO ₂ value [mg/l] SiO ₂									



For examples of valid value pair data, see section 4.2.2.
The graph of the value pairs must not contain any turning point in the required measuring range (see section 4.2.4).

Xylem |'zīləm|

- 1) The tissue in plants that brings water upward from the roots;
- 2) a leading global water technology company.

We're 12,500 people unified in a common purpose: creating innovative solutions to meet our world's water needs. Developing new technologies that will improve the way water is used, conserved, and re-used in the future is central to our work. We move, treat, analyze, and return water to the environment, and we help people use water efficiently, in their homes, buildings, factories and farms. In more than 150 countries, we have strong, long-standing relationships with customers who know us for our powerful combination of leading product brands and applications expertise, backed by a legacy of innovation.

For more information on how Xylem can help you, go to www.xylem.com



a **xylem** brand

YSI
1725 Brannum Lane
Yellow Springs, OH 45387
Tel: +1 937-767-7241; 800-765-4974
Fax: +1 937-767-1058
Email: environmental@ysi.com
Web: www.ysi.com

©Xylem Inc