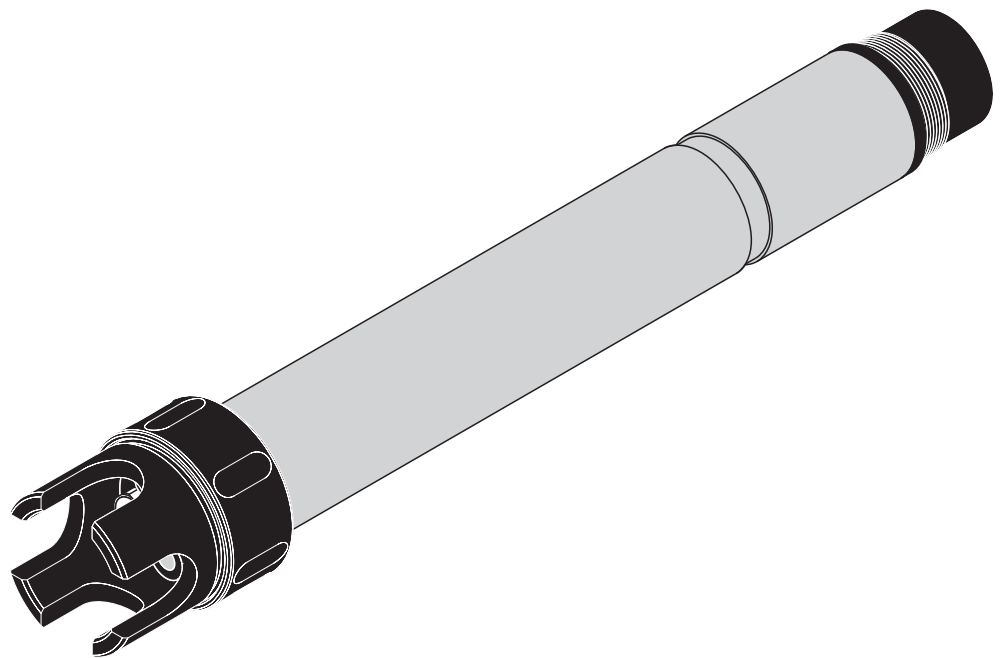


a xylem brand

Operating manual

# NitraLyt<sup>®</sup>Plus 700 IQ



**IQ SENSOR NET**  
**Modular sensor for nitrate**



**Note**

For the most recent version of the manual, please visit [www.ysi.com](http://www.ysi.com).

**Contact**

YSI  
1725 Brannum Lane  
Yellow Springs, OH 45387 USA  
Tel: +1 937-767-7241  
800-765-4974  
Email: [environmental@ysi.com](mailto:environmental@ysi.com)  
Internet: [www.ysi.com](http://www.ysi.com)

**Copyright**

© 2012 Xylem Inc.

## NitraLyt<sup>®Plus</sup> 700 IQ - Contents

<b>1</b>	<b>Overview</b>	<b>1-1</b>
1.1	How to use this component operating manual	1-1
1.2	Structure of the nitrate sensor NitraLyt <sup>®Plus</sup> 700 IQ	1-2
1.3	Recommended fields of application	1-4
<b>2</b>	<b>Safety instructions</b>	<b>2-1</b>
2.1	Authorized use	2-2
2.2	General safety instructions	2-2
<b>3</b>	<b>Commissioning</b>	<b>3-1</b>
3.1	Scopes of delivery	3-1
3.2	IQ SENSOR NET system requirements	3-2
3.3	Notes on the handling of the electrodes	3-3
3.3.1	Reference electrode	3-3
3.3.2	Measurement electrodes and compensation electrodes	3-4
3.4	Preparing the sensor for measurement	3-5
3.4.1	Equipping the sensor with electrodes	3-5
3.4.2	Mounting the protective hood	3-6
3.4.3	Connecting the sensor to the IQ SENSOR NET	3-7
3.5	Settings	3-9
3.5.1	General information	3-9
3.5.2	NitraLyt+ setting table	3-10
<b>4</b>	<b>Matrix adjustment, check and calibration</b>	<b>4-1</b>
4.1	General information	4-1
4.2	Matrix adjustment	4-3
4.2.1	General information on matrix adjustment	4-3
4.2.2	Carrying out the matrix adjustment	4-3
4.2.3	Result of the matrix adjustment	4-5
4.2.4	Program extension	4-7
4.3	Check and calibration in standard solutions	4-8
4.3.1	General information on checking and calibrating	4-8
4.3.2	Result of the check	4-10
4.3.3	Result of the calibration	4-11
<b>5</b>	<b>Measuring</b>	<b>5-1</b>

---

5.1	Measuring operation	.5-1
5.2	Factors affecting the measured value	.5-1
<b>6</b>	<b>Maintenance and electrode exchange</b>	<b>6-1</b>
6.1	General maintenance notes	.6-1
6.2	Exterior cleaning	.6-3
6.3	Exchanging the electrodes	.6-5
6.4	Polishing the chloride electrode	.6-6
<b>7</b>	<b>Replacement parts and accessories</b>	<b>7-1</b>
7.1	Electrodes	.7-1
7.2	General accessories	.7-1
<b>8</b>	<b>What to do if ...</b>	<b>8-1</b>
8.1	Interpretation of the drift voltage	.8-1
8.2	Error causes and remedies	.8-2
<b>9</b>	<b>Technical data</b>	<b>9-1</b>
9.1	Measuring characteristics	.9-1
9.2	Application conditions	.9-2
9.3	General data	.9-2
9.4	Electrical data	.9-3
9.5	Data of the VARiON <sup>®Plus</sup> electrodes	.9-4
9.5.1	Response times	.9-4
9.5.2	Materials	.9-4
9.5.3	Weights	.9-4
<b>10</b>	<b>Contact Information</b>	<b>10-1</b>
10.1	Ordering & Technical Support	.10-1
10.2	Service Information	.10-1
<b>11</b>	<b>Indexes</b>	<b>11-1</b>
11.1	Explanation of the messages	.11-1
11.1.1	Error messages	.11-1
11.1.2	Info messages	.11-2
11.2	Status info	.11-3

# 1 Overview

## 1.1 How to use this component operating manual

### Structure of the IQ SENSOR NET operating manual

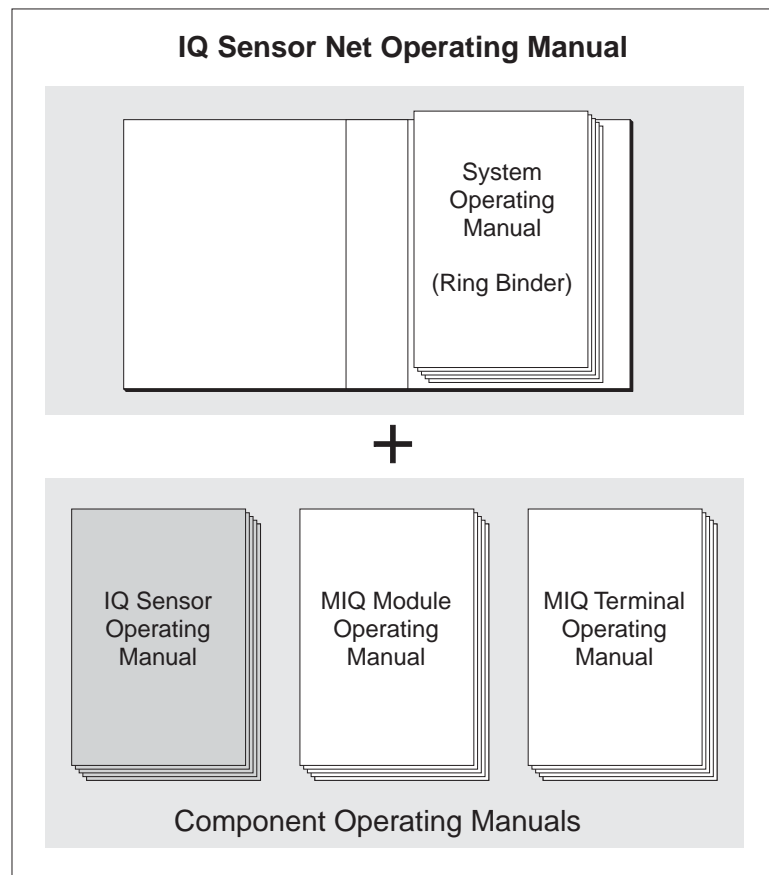


Fig. 1-1 Structure of the IQ SENSOR NET operating manual

The IQ SENSOR NET operating manual has a modular structure like the IQ SENSOR NET itself. It consists of a system operating manual and the operating manuals of all the components used.

Please file this component operating manual in the ring binder of the system operating manual.

## 1.2 Structure of the nitrate sensor NitraLyt<sup>®Plus</sup> 700 IQ



Fig. 1-2 Structure of the nitrate sensor NitraLyt<sup>®Plus</sup> 700 IQ

1	Protective hood
2	Temperature probe
3	Electrode support with electrodes
4	Sensor shaft
5	Plug head connector

### Electrodes

An NitraLyt<sup>®Plus</sup> 700 IQ sensor ready to measure requires a reference electrode and an ion sensitive electrode for the main parameter, ammonium. The electrodes are screwed into the electrode support. The electrode support has two receptacles for this.

### Automatic chloride compensation

With the aid of the automatic chloride compensation, the influence of chloride ions on nitrate measurement due to measuring technique is compensated for during measurement. To determine the chloride concentration, the NitraLyt<sup>®Plus</sup> 700 IQ is equipped with a chloride electrode.



### Note

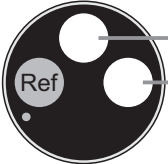
Information on the fundamentals of measuring with ion sensitive electrodes are given in the YSI primer, ION SELECTIVE MEASUREMENT IN ONLINE ANALYSIS.

**Operating modes and electrode equipment**

Due to its modular structure, the NitraLyt<sup>®Plus</sup> 700 IQ can be adapted to various requirements (see following table).

Notes:

The reference electrode has an extra receptacle marked by a recess. The ion sensitive electrodes can be mounted in the remaining two receptacles in any order. Empty receptacles have to be closed with the VARiON<sup>®</sup> BP blind plug.

Operating mode	Electrode equipment
Nitrate measurement	

**Calibration free operation**

The NitraLyt<sup>®Plus</sup> 700 IQ nitrate sensor is immediately ready to measure after being equipped with electrodes. For precise measurements, it is only necessary to adjust the electrodes to the sample matrix ("matrix adjustment"). In the recommended application (see section 1.3 RECOMMENDED FIELDS OF APPLICATION), the measuring characteristics of the electrodes remain stable for their entire service life. Thus, calibration is no longer required.

Possible changes of the sample matrix can be determined by occasional comparison measurements (e.g. photometer) and compensated for by a new matrix adjustment. The sensor does not have to be taken out of the sample for this.

**Shielding of the NitraLyt<sup>®Plus</sup> 700 IQ**

The NitraLyt<sup>®Plus</sup> 700 IQ nitrate sensor and the corresponding electrodes in conjunction with the IQ SENSOR NET system form a measuring system that is protected to a high degree against low and high frequency interference as well as against the indirect effects of lightning strikes.

### 1.3 Recommended fields of application

The NitraLyt<sup>®Plus</sup> 700 IQ nitrate sensor is a sensor for the online determination of nitrate ions in water or wastewater applications. It supplements D. O. measurement in the aeration tank of waste water treatment plants and enables an efficient process control of nitrogen removal.

**Note**

More detailed information on measuring with ion sensitive electrodes is given in the YSI primer, ION SELECTIVE MEASUREMENT IN ONLINE ANALYSIS.



## 2 Safety instructions

This component operating manual contains special instructions that must be followed in the operation of the NitraLyt<sup>®Plus</sup> 700 IQ nitrate sensor. Thus, it is essential to read this component operating manual before carrying out any work using this sensor. In addition to this manual, the SAFETY chapter of the IQ SENSOR NET system operating manual must be followed.

Always keep this component operating manual together with the system operating manual and any other component operating manuals in the vicinity of the IQ SENSOR NET system.

### Special user qualifications

The NitraLyt<sup>®Plus</sup> 700 IQ nitrate sensor was developed for applications in online measurement - essentially in the field of wastewater treatment. Thus, we assume that the operators are familiar with the necessary precautions to take when dealing with chemicals as a result of their professional training and experience.

### General safety instructions

Safety instructions in this operating manual are identified by the warning symbol (triangle) in the left column. The signal word (e. g. "Caution") indicates the level of danger:



#### Warning

indicates instructions that must be followed precisely in order to prevent serious dangers to persons.



#### Caution

indicates instructions that must be followed precisely in order to avoid slight injuries or damage to the instrument or the environment.

### Other labels



#### Note

indicates notes that draw your attention to special features.



#### Note

indicates cross-references to other documents, e.g. operating manuals.

## 2.1 Authorized use

The authorized use of the NitraLyt<sup>®Plus</sup> 700 IQ with the electrodes built in consists of its use as a sensor within the IQ SENSOR NET. Please observe the technical specifications according to chapter 9 TECHNICAL DATA. Only operation according to the instructions given in this operating manual is considered to be authorized.

Any other use is considered to be **unauthorized**. Unauthorized use invalidates any claims with regard to the guarantee.



### Caution

**Only connect and operate the sensor together with IQ SENSOR NET accessories.**

## Function and operational safety

## 2.2 General safety instructions

The sensor left the factory in a safe and secure technical condition.

The failure-free function and operational safety of the sensor is only guaranteed if the generally applicable safety measures and the special safety instructions in this operating manual are followed during its use.

The failure-free function and operational safety of the sensor is only guaranteed under the environmental conditions that are specified in chapter 9 TECHNICAL DATA.

The specified temperature (chapter 9 TECHNICAL DATA) must be maintained during the operation and transport of the sensor. Protect the sensor, particularly against frost or overheating.



### Caution

**The sensor may only be opened by specialists authorized by YSI.**

**Safe operation**

If safe operation is no longer possible, the sensor must be taken out of operation and secured against inadvertent operation.

Safe operation is no longer possible if the sensor:

- has been damaged in transport
- has been stored under adverse conditions for a lengthy period of time
- is visibly damaged
- no longer operates as described in this manual.

If you are in any doubt, contact the supplier of your sensor.

**Obligations of the operator**

The operator of the sensor must ensure that the following rules and regulations are followed when dealing with hazardous substances:

- EEC directives for protective labor legislation
- National protective labor legislation
- Safety regulations
- Safety data sheets of the chemical manufacturer.



## 3 Commissioning

### 3.1 Scopes of delivery

YSI supplies the NitraLyt<sup>®Plus</sup> 700 IQ in sets for different measuring requirements. Each set contains the following components:

- Unequipped sensor NitraLyt<sup>®Plus</sup> 700 IQ. The electrode receptacles are closed with blind plugs
- Reference electrode, VARiON<sup>®</sup> Ref
- Depending on the set, the suitable selection from the following measurement and compensation electrodes:
  - VARiON<sup>®Plus</sup> NO3 (nitrate electrode)
  - VARiON<sup>®Plus</sup> Cl (chloride electrode for compensation)
- Special socket wrench
- VARiON<sup>®</sup> 700 IQ-SK protective hood
- Potassium chloride solution for storing the reference electrode
- Operating manual and YSI primer, ION SELECTIVE MEASUREMENT IN ONLINE ANALYSIS.



#### Note

Information on the available sets is given in the YSI catalog and on the Internet.

**Software statuses of the controller and terminal components****3.2 IQ SENSOR NET system requirements**

Operation of the NitraLyt<sup>®Plus</sup> 700 IQ requires the following software statuses in the IQ SENSOR NET, depending on the system:

- DIQ/S 182      Software:                      Version 3.21 or higher
- MIQ/MC      Controller software:              Version 2.83 or higher
- IQ software pack      Software version:              5.00 or higher

### 3.3 Notes on the handling of the electrodes

The electrodes of the NitraLyt<sup>®Plus</sup> 700 IQ nitrate sensor were developed for the rough use in waste water treatment plants. They are, however, precision parts that can be damaged by inappropriate use. Therefore, exactly follow the instructions in the two following chapters.

#### 3.3.1 Reference electrode

#### Commissioning

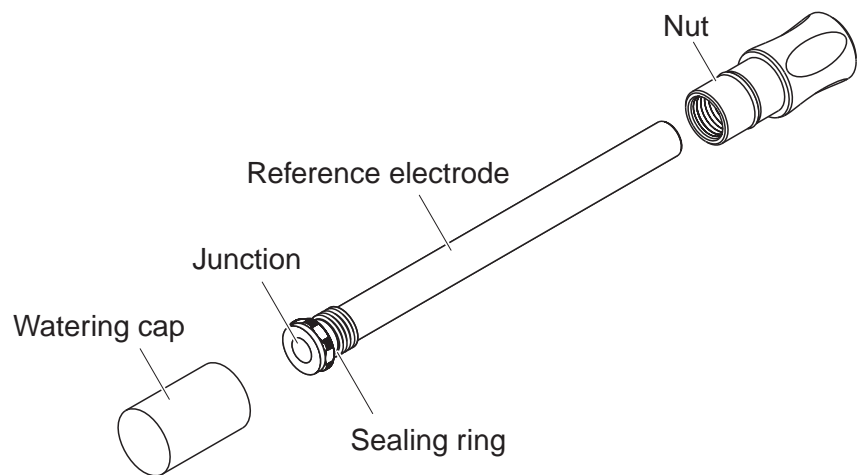


Fig. 3-1 Reference electrode with storing aids

In the delivery condition, the electrode is equipped with a watering cap and a nut that protects the screw-in thread. The watering cap contains 3 mol/l potassium chloride solution. Before mounting, unscrew the watering cap. Then, using the special hexagon key, unscrew the electrode from the nut. Keep both storing aids in case you want to store the electrode.



#### Caution

The junction of the reference electrode must not

- dry up (follow notes on storage)
- be damaged
- be brought into contact with grease.

#### Notes on storage

If you will not use the electrode for a longer period of time, screw the electrode into the nut as far as it will go. Fill the watering cap to the brim with 3 mol/l potassium chloride solution and tightly screw the watering cap on the electrode by hand.

### 3.3.2 Measurement electrodes and compensation electrodes

#### Commissioning

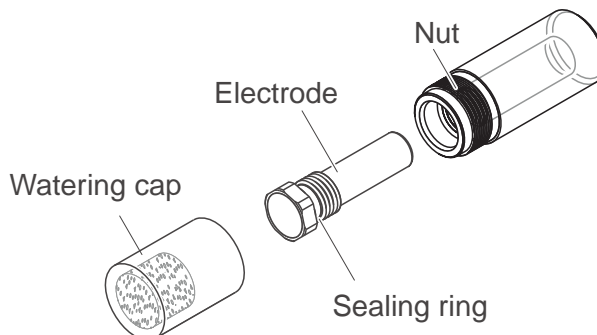


Fig. 3-2 Measurement electrode or compensation electrode with storing aids

In the delivery condition, each electrode is equipped with a watering cap and a nut that protects the screw-in thread. Prior to installation, first remove the watering cap and, using the special hexagon key, unscrew the electrode from the nut. Keep both storing aids in case you want to store the electrode.



#### Caution

**The membrane of the electrode must not**

- dry up (follow notes on storage)
- be damaged
- be brought into contact with grease.

#### Notes on storage

If you will not use the electrode for a longer period of time, screw the electrode into the nut as far as it will go. Soak the foam insert in the watering cap with VARiON<sup>®</sup>/ES-1 standard solution (lower concentration) and plug the electrode into the watering cap.



#### Caution

**Make sure to use the correct solution for the watering cap (VARiON<sup>®</sup>/ES -1 standard solution). If you use the watering solution of the reference electrode instead the function of the electrode can be seriously damaged.**



### 3.4 Preparing the sensor for measurement

#### 3.4.1 Equipping the sensor with electrodes



##### Caution

The sensor can be damaged by dirt and moisture. Before mounting the electrodes make sure the area behind the sealing ring of the electrodes and the receptacle are dry and clean. The NitraLyt<sup>®Plus</sup> 700 IQ may only be submersed when the electrodes or original blind plugs are mounted.



##### Note

More detailed information on the electrode equipment for the various operating modes is given in the table on page 1-3.

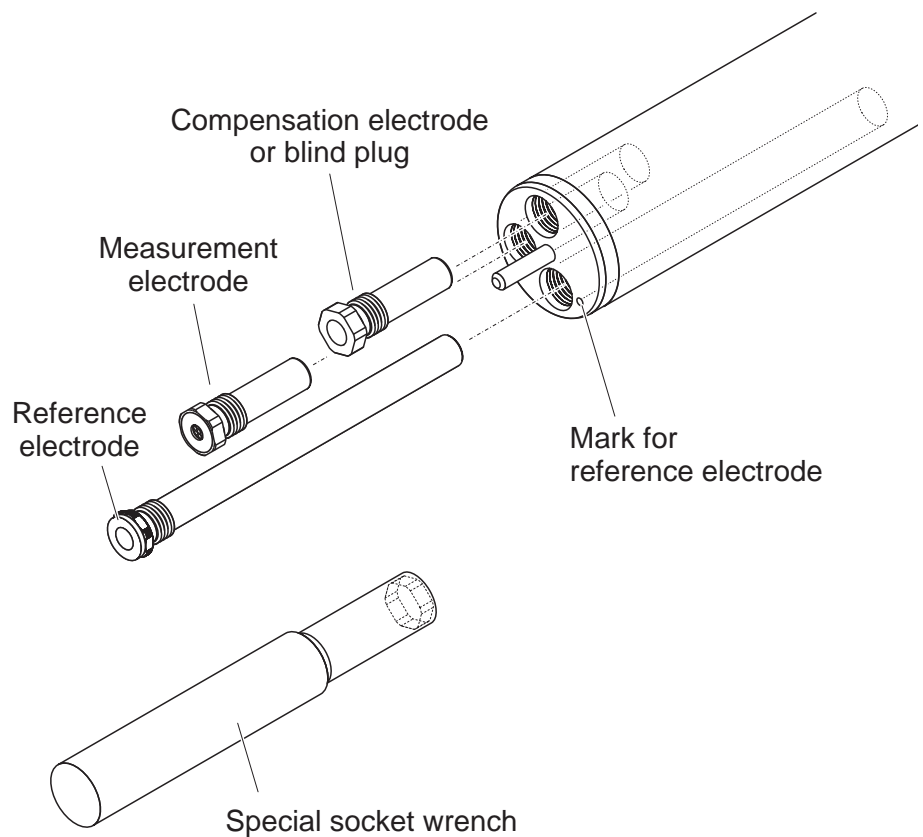


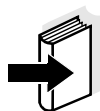
Fig. 3-3 Equipping the sensor with electrodes.

All receptacles are closed with blind plugs in the delivery condition. Screw the electrodes into the receptacles instead of the blind plugs.

When doing so observe the following points:

- The receptacle for the reference electrode is marked by a recess. It extends into the inside of the sensor clearly deeper than the other two receptacles (see Fig. 3-3).

- The measurement and compensation electrode can be mounted in the remaining two receptacles in any order.
- During installation make sure the area behind the sealing ring of the electrode and the receptacle are absolutely dry and clean.
- Plug the electrode on the special socket wrench provided and insert the electrode with the special socket wrench.
- Screw until the electrode seats without any gap on the electrode support. Thus the tightness and electrical contacting are granted.

**Note**

When mounted, the electrodes can be recognized by the features described in section 6.3.

**CH cleaning head  
(option)****3.4.2 Mounting the protective hood**

For permanent operation, we recommend to use the CH cleaning head for compressed air-driven cleaning. It is mounted instead of the standard protective hood. The compressed air cleaning is started time-controlled via the IQ SENSOR NET system. Information on the required components is given in the YSI catalog and on the Internet.

If no CH cleaning head is used the standard protective hood should always be mounted for measuring. It protects the electrodes from rough mechanical impact.

**Mounting the standard protective hood**

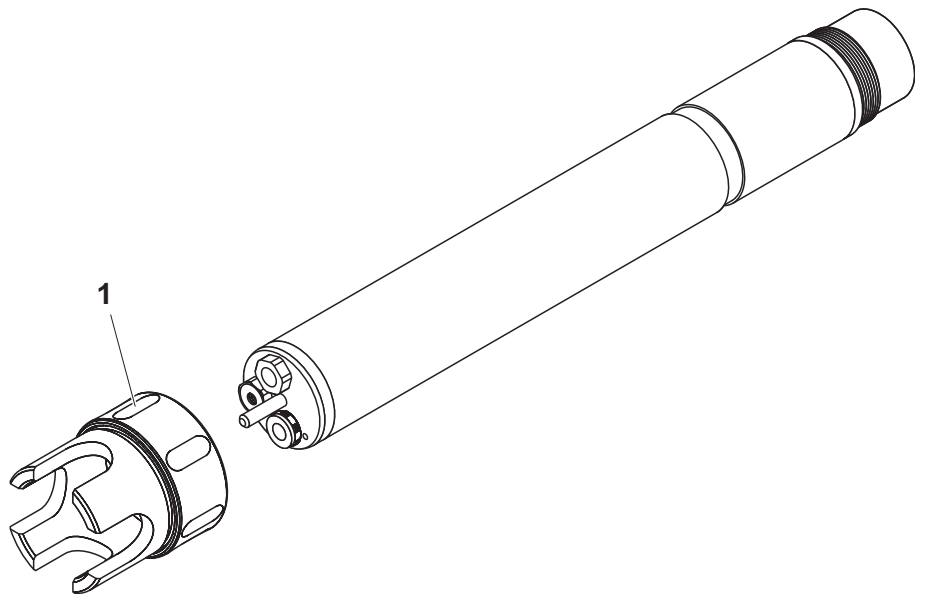


Fig. 3-4 Mounting the standard protective hood.

1	Loosen the coupling ring (1) of the protective hood.
2	Push the protective hood on the sensor as far as it will go.
3	Tighten the coupling ring of the protective hood.

**Cleaning the protective hood**

The coupling ring of the protective hood can be taken apart for cleaning purposes (see section 6.2 EXTERIOR CLEANING).

**3.4.3 Connecting the sensor to the IQ SENSOR NET**

**Connection cable**

The SACIQ sensor connection cable is required to connect the sensor. Information on this and other IQ SENSOR NET accessories is given in the YSI catalog and on the Internet.



**Note**

Do not suspend the sensor on the sensor connection cable. Use an armature or electrode holder. Information on this and other IQ SENSOR NET accessories is given in the YSI catalog and on the Internet.



**Note**

How to connect the SACIQ sensor connection cable to the IQ SENSOR NET is described in chapter 3 INSTALLATION of the IQ SENSOR NET system operating manual.

**Are the plug connections dry?**

Before connecting the sensor and sensor connection cable, make sure that the plug connections are dry. If moisture gets into the plug connections, first dry the plug connections (dab them dry or blow them dry using compressed air).

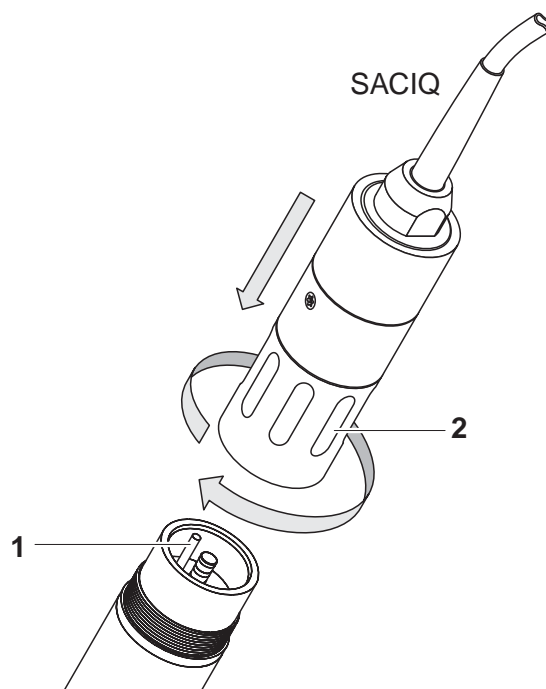
**Connecting the sensor to the sensor connection cable**

Fig. 3-5 Connect the sensor

1	Take the protective caps off the plug connections of the sensor and the SACIQ sensor connection cable, and keep them safe.
2	Plug the socket of the SACIQ sensor connection cable onto the plug head connector of the sensor. At the same time, rotate the socket so that the pin in the plug head connector (1) clicks into one of the two holes in the socket.
3	Then screw the coupling ring (2) of the sensor connection cable onto the sensor up to the stop.

## 3.5 Settings

### 3.5.1 General information

#### Automatic electrode recognition

The NitraLyt<sup>®Plus</sup> 700 IQ software automatically recognizes the built-in electrodes and checks the equipment for validity. If the sensor is correctly equipped it is displayed in the list of sensors with the designation, "NitraLyt+".

#### Carrying out settings

Switch to the main settings menu from the measured value display with **<S>**. Then navigate to the setting menu (setting table) of the sensor. The exact procedure is described in the relevant IQ SENSOR NET system operating manual.

The setting tables for the NitraLyt+ are described in the following chapter.

## 3.5.2 Nitralyt+ setting table

Menu item	Selection/values	Explanations
<i>Measuring mode</i>	<ul style="list-style-type: none"> <li>● NO<sub>3</sub>-N</li> <li>● NO<sub>3</sub></li> <li>● mV</li> </ul>	Citation form of the mass concentration or voltage of the electrode.
<i>Measuring range</i> ( <i>Measuring mode: NO<sub>3</sub>-N</i> )	<ul style="list-style-type: none"> <li>● <i>AutoRange</i></li> <li>● 0.1 ... 100.0 mg/l</li> <li>● 1 ... 1000 mg/l</li> </ul>	2 measuring ranges can be selected. With <i>AutoRange</i> , the instrument automatically switches to the suitable measuring range.
<i>Measuring range</i> ( <i>Measuring mode: NO<sub>3</sub></i> )	<ul style="list-style-type: none"> <li>● <i>AutoRange</i></li> <li>● 0.5 ... 450.0 mg/l</li> <li>● 5 ... 4500 mg/l</li> </ul>	2 measuring ranges can be selected. With <i>AutoRange</i> , the instrument automatically switches to the suitable measuring range.
<i>Measuring range</i> ( <i>Measuring mode: mV</i> )	<ul style="list-style-type: none"> <li>● -2000 ... 2000 mV</li> </ul>	Fixed range
<i>Chloride compens.</i>	<i>automatic / manual</i> 1 ... 1000 mg/l	<p><i>automatic</i> (with a chloride electrode mounted): When a chloride electrode is mounted, the chloride compensation takes place automatically only. The value of the chloride concentration measured at the time the setting table was opened is displayed in the next line.</p> <p><i>manual</i> (without any chloride electrode mounted): After determining the chloride content of the test solution enter the determined chloride content manually in the next line. The measured value is accordingly corrected by the entered chloride content. <b>Note:</b> Detailed information on the subject of chloride compensation is given in the YSIYSI primer, ION SELECTIVE MEASUREMENT IN ONLINE ANALYSIS.</p>
<i>Calib. history Cl</i> (only with <i>Chloride compens. automatic</i> )	<ul style="list-style-type: none"> <li>● <i>Do not download</i></li> <li>● <i>Transmit to log book</i></li> </ul>	<i>Send to log book</i> generates a log book message with the calibration history of the chloride electrode. When opening the setting table again the setting is reset to <i>Do not download</i> .

Menu item	Selection/values	Explanations
<i>IQ-LabLink</i>	● <i>not active</i>	(not used)
<i>Temperature mode</i>	● °C ● °F	Unit of the measured temperature value (Celsius, Fahrenheit).
<i>Temp. adjustment</i>	-1.5 °C ... +1.5 °C	The temperature compensation function enables the temperature sensor to be balanced against a reference temperature measurement (displacement of the zero point by ±1.5 °C). Notes: ● Due to the thermal capacity of the sensor, it is necessary to place it in a container with at least 2 liters of water. ● Leave the sensor in this container for at least 15 minutes while stirring occasionally, then carry out the adjustment. If the temperature difference of the water and sensor is > 10°C, leave the sensor in the container for at least one hour while stirring occasionally.
<i>Conc. offset</i>	-1.0 mg/l ... +1.0 mg/l	Constant value, which is added to the measured value.
<i>Program level</i>	0 ... 2	Program extension (0 = Off = standard setting). Refer to section 4.2.4 for details about the program extension.
<i>Save and quit</i>		The system confirms the saving of the settings and the display switches to the next higher level.
<i>Quit</i>		The display switches to the next higher level without saving the new settings.





## 4 Matrix adjustment, check and calibration

### 4.1 General information

#### Calibration free operation

The NitraLyt<sup>®Plus</sup> 700 IQ nitrate sensor is immediately ready to measure after being equipped with electrodes. For precise measurements, it is only necessary to adjust the electrodes to the sample matrix ("matrix adjustment"). In the recommended application (see section 1.3 RECOMMENDED FIELDS OF APPLICATION), the measuring characteristics of the electrodes remain stable for their entire service life. Thus, calibration is no longer required.

Possible changes of the sample matrix can be determined by occasional comparison measurements (e.g. photometer) and compensated for by a new matrix adjustment. The sensor does not have to be taken out of the sample for this. At the same time, a matrix adjustment provides information on the state of the electrodes.

#### Steps

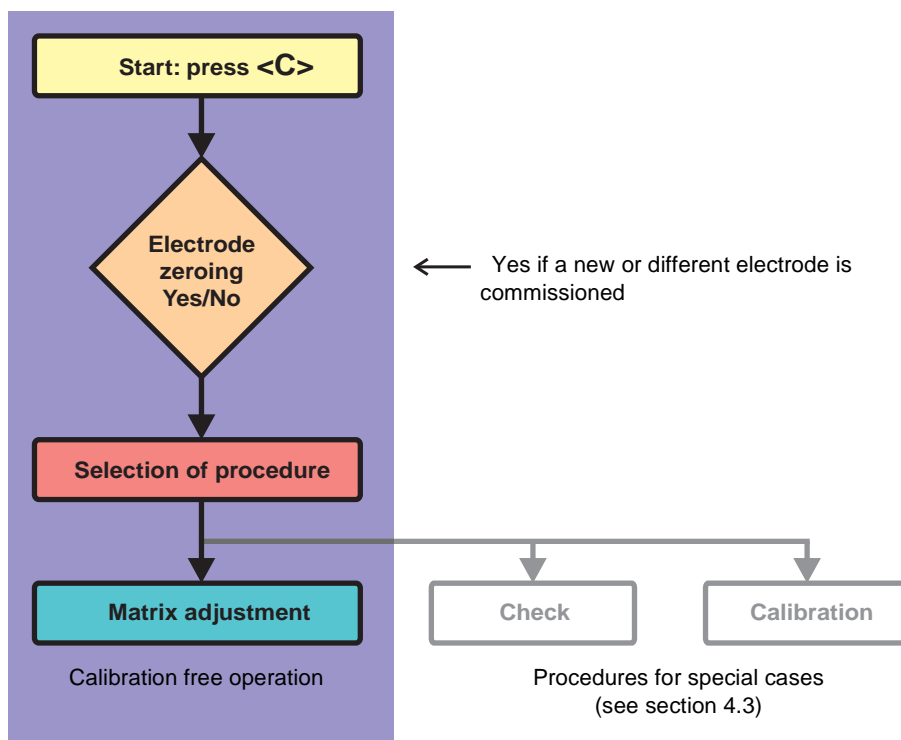


Fig. 4-1 Schematic diagram

**Drift potential**

Simultaneously with the matrix adjustment (or calibration), the drift voltage DV(mV) of the combination electrode is determined. It serves to evaluate the long-term behavior of the combination electrode. The drift voltage changes due to the following factors:

- Influences due to the sample composition (matrix)
- Change of the characteristics of the combination electrode.

**Electrode zeroing**

The temporal change of the drift voltage is recorded in the calibration history so that the long-term behavior of a combination electrode can be evaluated. As a start value, the user has to set the drift voltage to zero at the beginning of this evaluation period in order to observe changes in the calibration history.

The electrode zeroing itself is carried out with the matrix adjustment (or calibration) procedure for the selected combination electrode(s). It becomes effective if the procedure was successfully carried out.

The electrode zeroing can be carried out by the user for each electrode (nitrate and chloride combination electrode) separately and at any time. We recommend, however, to start the evaluation period with the commissioning of a new or different electrode to be able to see the entire operation period of an electrode in the calibration history.

It is not possible to zero an electrode with the Check procedure, as this procedure stores no data in the sensor.

**Resetting the slope by electrode zeroing**

Electrode zeroing with the matrix adjustment procedure resets the slope to the default setting (+ or - 59.2 mV) at the same time. Electrode zeroing with the calibration procedure replaces the existing slope with the newly determined value.

**Maintenance and calibration case, VARiON<sup>®</sup> Case**

For adjustment, calibration and maintenance activities on site, the VARiON<sup>®</sup> Case is available. The convenient case provides room for all required accessories (details, see section 6.1).

## 4.2 Matrix adjustment

### 4.2.1 General information on matrix adjustment

This procedure adjusts the value measured directly in the test sample to an independently determined reference value ("lab value"). To determine the reference values, a sample is taken from the measuring solution and the relevant concentrations are measured (e.g. photometrically).

First select for which of the installed combination electrodes the matrix adjustment should be carried out. Based on this selection and the electrode equipment, the sensor software determines the ion types for which a reference measurement must be carried out. The menu guided routine adapts itself correspondingly and informs you of all necessary actions.

### 4.2.2 Carrying out the matrix adjustment



#### Note

A chloride electrode should be checked for coatings and polished off as necessary before the matrix adjustment is carried out (see section 6.4).

#### Main steps

- Step 1:** Determination of all combination electrode voltages ("reference voltages"). The sensor is in the sample. The procedure is started from the measured value display with . After completion the system returns to the measured value display.
- Step 2:** Sampling at the same place and time if possible and determination of all relevant reference values
- Step 3:** Entry of the measured reference values. This step is started by pressing again.

#### Online help

A comfortable, menu guided routine guides you through the matrix adjustment. All steps are easily and understandably explained on the display. In addition, you can call up an *Online help* for each step. To do so, use the arrow keys <▲▼◀▶> or toggle switch <▲▼> to move the highlighting to the *Online help* menu item and press <OK>. A help text with detailed information on the relevant operating step appears on the display. It provides, for example, important instructions on how to keep the correct basic conditions. When <OK> is pressed once again, the display returns to the current operating step.

#### Matrix adjustment with electrode zeroing

After installing a new or different electrode you have to zero the electrode to facilitate a long-term evaluation. Details on electrode zeroing, see section 4.1.

**Practical instructions**

- The nitrate concentration has to be determined immediately after taking the sample as the nitrate content changes very quickly due to the micro organisms that are present. It is best to take the sample using a syringe filter for transport to the laboratory or to stabilize it otherwise. When adding stabilizing solutions, the dilution factor has to be taken into account.
- While determining the reference concentrations in the lab (step 2), you can use the sensor for control purposes again by switching the maintenance condition off and thus releasing the linked outputs. The sensor continues to use the data of the previous matrix adjustment (or calibration). The reference voltages determined in step 1 will not be lost. They remain stored until step 3 of the matrix adjustment is completed. They do not have to be noted and entered again.
- Use the *Online help* if you are unsure of anything during the matrix adjustment.

### 4.2.3 Result of the matrix adjustment

#### Evaluation

After the matrix adjustment, the system automatically evaluates the current condition of the electrode(s) based on the drift voltage. For a successful matrix adjustment, the drift voltage must be within the range -45 mV to +45 mV. The drift voltage is set to 0 mV if you have selected to zero the electrode.

At the end of the matrix adjustment procedure the drift voltage of all selected electrodes is shown on the display. The evaluation is displayed with "+" (successful) or "-" (unsuccessful). Additionally, the slopes are displayed that are used for the current measured value calculation. The slopes are marked by a star (\*) as they were not changed by the matrix adjustment.

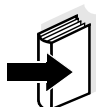
#### Taking over the determined values

For each successfully adjusted electrode you can individually decide whether the values should be stored for measurement.



#### Note

If the matrix adjustment was erroneous due to an incorrect determination or entry of the reference concentration, you can correct the entry (if necessary several times). If, by doing so, it is not possible to eliminate the error, the complete matrix adjustment has to be repeated or discarded for this electrode. If it is discarded, measurement is continued with the values of the last valid matrix adjustment (or calibration). Values of successfully adjusted electrodes that were already stored are retained.



#### Note

Actions for error elimination are given in the *Online help* and in chapter 8 WHAT TO DO IF ....

#### History of matrix adjustments (available in the IQ SENSOR NET system 2020 XT)

The history of matrix adjustments can be viewed in the so-called calibration history.

MIQ/T2020	05 Dec 2006	12 28						
Calibration history of selected sensor 330								
S01 NitraLyt+		04460001						
Date	S	DV	Ref1	Ref2	CL-	P	T	R
24.07.06	59.2*	0	2.7	-	14	1	12	+
05.12.06	59.2*	-3	2.6	-	11	1	8	+
27.10.06	59.2*	5	9.8	-	22	1	6	+
16.09.06	59.2*	2	4.7	-	15	1	7	+
02.08.06	59.2*	4	4.0	-	18	1	10	+
Return ESC								

Last electrode zeroing via matrix adjustment

Chronological list of the last matrix adjustments

Fig. 4-2 Calibration history of NitraLyt+ with matrix adjustments

The history of matrix adjustments contains the following information:

<b>Date</b>	Date of the matrix adjustment
<b>S</b>	Slope [mV] of the electrode. The slopes are marked by a star (*) because they were not changed by the matrix adjustment or reset to the default condition with the electrode zeroing.
<b>DV</b>	Drift voltage [mV] 0 is displayed after an electrode zeroing.
<b>Ref1</b>	Reference concentration [mg/l]
<b>Ref2</b>	This column is of no importance for the matrix adjustment
<b>Cl-</b>	Measured or entered chloride concentration [mg/l]
<b>P</b>	Procedure (1 = matrix adjustment)
<b>T</b>	Temperature [°C]
<b>R</b>	Evaluation of the matrix adjustment + : Matrix adjustment successful. The sensor measures with the new adjustment data. ? : Matrix adjustment unsuccessful. Invalid adjustment data was discarded. Measurement is continued with the last valid values.



#### Note

The history of matrix adjustments of the chloride electrode is not output with the calibration history of the sensor (Nitralyt+). If necessary, you can create a log book message with the calibration history by means of the menu item, *Calib. history Cl* in the setting table. How to do this is described on page 3-10. The log book message is given in the log book (message code IC5396).

#### 4.2.4 Program extension

The simple matrix adjustment, as described in the sections 4.2.2 to 4.2.3, will in most cases lead to precise measurement results. In some cases, special effects in the matrix can cause the real characteristic curve of the ISE measurement to deviate very much from the factory characteristic curve. This can lead to measured values that are not precise enough.

From sensor software version 3.20, the setting table provides the *Program Level* setting, which can be used to enhance the functionality of the matrix adjustment. *Program Level 0* is the simple matrix adjustment as described in the sections 4.2.2 to 4.2.3. The *program levels 1* and *2* provide tools with which the real characteristic curve of the ISE measurement can be better approximated.

For more detailed information please address your YSI contact person.

**Note**

To restore the factory characteristic curve, select *Program Level 0* in the setting table and then quit the menu with *Save and quit*.

## 4.3 Check and calibration in standard solutions

### 4.3.1 General information on checking and calibrating

In addition to the comparison measurement or matrix adjustment under real measurement conditions, it is possible to check the function of the entire sensor in standard solutions. If necessary, you can also take over in the sensor the slope and potential level of the individual combination electrodes via an exact calibration in standard solutions. The slope will be retained with a future matrix adjustment if it is carried out without zeroing the electrode.



#### Caution

**The long term stable VARiON®Plus electrodes are calibration-free in the recommended application. A check in standard solutions is only of significance if all basic conditions (cleanness, conditioning etc.) are strictly kept. Calibration can cause major measurement errors if the basic conditions are not sufficiently kept. After calibrating, a matrix adjustment is normally required additionally (always with the recommended application). Standard solutions do not correspond to any real test sample!**

#### When does a check or calibration make sense?

A check or calibration can be useful in the following special cases:

- If the measured values do not appear to be correct even after a careful matrix adjustment and if you suspect the electrode slopes to have changed
- If a new application is to be started, the sample composition of which considerably deviates from that of the recommended application (see section 1.3 RECOMMENDED FIELDS OF APPLICATION)
- Routinely within the framework of the company quality assurance.



### Differences between check and calibration

The check and calibration are carried out in two separate routines. The schema is the same with both routines: Two standard solutions with different concentrations are measured one after the other. The differences between the check and calibration are as follows:

- For the **check**, the basic conditions to be kept are less strict. It is suitable as a quick method to check whether the slope and potential level of the combination electrodes are within the allowed limits. The results are just for information. No characteristics or sensor settings are changed.
- For **calibration**, the basic conditions must comply with very high requirements (longer conditioning times, discarding of the conditioning solution, temperature adjustment etc.). Correspondingly, it requires more time. During calibration, the slope and drift voltage are exactly determined and evaluated. If the calibration was successful, the determined values can be taken over for measurement. The procedure can, however, be used as a mere check method. Calibration is documented in the calibration history and in the log book.

### Standard solutions

For the check or calibration, the following two YSI standard solutions are required in this order:

- VARI<sup>®</sup>ON/ES-2 (high concentration)
- VARI<sup>®</sup>ON/ES-1 (low concentration).

These standard solutions contain all ion types that come into question (nitrate and chloride) and are especially adapted to the NitraLyt<sup>®Plus</sup> 700 IQ.

### Online help

A comfortable, menu guided routine guides you through the procedure. All steps are easily and understandably explained on the display. In addition, you can call up an *Online help* for each step. To do so, use the arrow keys <▲▼◀▶> or toggle switch <▲▼> to move the highlighting to the *Online help* menu and press <OK>. A help text with detailed information on the relevant operating step appears on the display. It provides, for example, important instructions on how to keep the correct basic conditions. When <OK> is pressed once again, the display returns to the current operating step.

### Calibration with electrode zeroing

After installing a new or different electrode you have to zero the electrode to facilitate a long-term evaluation. Details on electrode zeroing, see section 4.1.



#### Note

A chloride electrode should be checked for coatings and polished off as necessary before the check or calibration is carried out (see section 6.4).

### Preparations and instructions on how to keep the basic conditions

- Select a place where clean working conditions and a constant, sufficiently high temperature are granted (a room, e.g. laboratory). Temperatures under 10 °C extend the conditioning time considerably.
- Make sure the temperature of all components (sensor, standard solutions, containers, accessories etc.) is similar and constant. We recommend to store the standard solutions in the same place where the check or calibration is carried out.
- Use containers and accessories (beaker, stirring rod) that are absolutely clean and without detergent residues. Detergent residues can seriously affect the function of the electrodes.
- Remove the protective hood and clean the sensor thoroughly. Before the check, rinse the sensor with standard solution VARiON<sup>®</sup>/ES-2.
- Make sure the depth of immersion is sufficient (minimum 5 cm).
- Make sure there are no air bubbles in front of the electrode membrane.
- Conditioning times: During the conditioning steps, all relevant combination electrode voltages are indicated on the display. Thus you can observe the conditioning process.
- Regular stirring accelerates the conditioning process considerably. Stirring with a stirring rod or the sensor itself is sufficient.
- For calibration, the standard solution is discarded after conditioning. This is pointed out by a corresponding note in the calibration routine. It is essential for an exact calibration result.
- Use the *Online help* if you are unsure of anything during calibration.

#### 4.3.2 Result of the check

### Evaluation

At the end of the check, the result for the combination electrodes is shown on the display with "+" (successful) or "-" (unsuccessful). The exact check criteria are given in the *Online help* of the result display. At the same time the result is entered in the log book as an info message. There is no entry in the calibration history.

### 4.3.3 Result of the calibration

#### Evaluation

With calibration, the system automatically evaluates the condition of a combination electrode based on the data of its characteristic curve. The drift potential and slope are evaluated separately. For a calibration procedure to be valid, the potential level, slope and drift voltage must be within certain ranges.

Valid ranges for slope and drift potential:

Value of the slope: 50 ... 70 mV

Drift voltage: -45 ... +45 mV

The valid potential levels (MIN, MAX) can be taken from the online help.

#### Taking over the determined values

For each successfully calibrated electrode you can individually decide whether the values should be stored for measurement.



#### Note

Actions for error elimination are given in chapter 8 WHAT TO DO IF ....

**Calibration history  
(available in the  
IQ SENSOR NET systems  
2020 XT and  
2020 XT USB only)**

In the calibration history, a calibration has the entries *ES1* and *ES2* in the *Ref1* and *Ref2* columns which the matrix adjustment has not:

HIQ/T2020	05 Dec 2006	12 28				
Calibration history of selected sensor 330						
S01 NitraLyt+ 04460001						
Date	S	DV	Ref1	Ref2	Cl- P T R	
24.07.06	58.7	0	ES2	ES1 ES2	3 21 +	
05.12.06	58.4*	13	2.6	-	11 1 15 +	
27.10.06	58.4	1	ES2	ES1 ES2	3 22 +	
16.09.06	58.7*	16	4.7	-	15 1 7 +	
02.08.06	58.7*	14	4.0	-	18 1 10 +	
Return ESC						

Last electrode zeroing (here, via calibration)

Chronological list with the last matrix adjustments and calibrations

Fig. 4-3 Calibration history of NitraLyt+

The calibration history contains the following information:

<b>Date</b>	Date of the calibration or matrix adjustment
<b>S</b>	Slope [mV] of the electrode. <u>Note:</u> After a matrix adjustment, the values for the slope are marked by a star (*) because they were not changed by this procedure.
<b>DV</b>	Drift voltage [mV] After an electrode zeroing and subsequent calibration or matrix adjustment, 0 is displayed.
<b>Ref1/Ref2</b>	Depending on the procedure. Matrix adjustment: Reference concentration [mg/l] Calibration: Used standard solution
<b>Cl-</b>	Depending on the procedure. Matrix adjustment: Chloride concentration [mg/l] Calibration: Standard solution VARIION®/ES-2
<b>P</b>	Procedure (1 = matrix adjustment, 3 = calibration)
<b>T</b>	Temperature [°C]
<b>R</b>	Evaluation of the calibration or matrix adjustment + : Calibration or matrix adjustment. The sensor measures with the new calibration or adjustment data. ? : Calibration or matrix adjustment unsuccessful. Invalid calibration or adjustment data were discarded. Measurement is continued with the last valid values.

**Note**

The calibration history of the chloride electrode is not output with the calibration history of the sensor (NitraLyt+). If necessary, you can generate a log book message with the calibration history via the menu item, *Calib. history Cl* in the setting table. How to do this is described on page 3-10. The log book message is given in the log book (message code IC5396).



## 5 Measuring

### 5.1 Measuring operation

Note the data given in section 9.2 APPLICATION CONDITIONS, especially the minimum immersion depth of the sensor (> 50 mm with mounted protective hood).



#### Note

To keep the sensor clean, we recommend to use the CH cleaning head (see chapter 7 REPLACEMENT PARTS AND ACCESSORIES).

### 5.2 Factors affecting the measured value



#### Caution

**Greases, oils, certain tensides and similar substances can shorten the operational lifetime of the electrodes. Therefore, they should not be present in the test sample.**

#### Interfering ions

Nitrate measurement with the NitraLyt<sup>®Plus</sup> 700 IQ can be influenced by the presence of chloride ions.



#### Note

The effects of influencing variables on measurement and compensating actions are described in detail in the YSI primer, ION SELECTIVE MEASUREMENT IN ONLINE ANALYSIS.





## 6 Maintenance and electrode exchange

### 6.1 General maintenance notes



#### Warning

**Contact with the sample can be dangerous for the user!  
Depending on the type of sample, suitable protective measures must be taken (protective clothing, protective goggles, etc.).**

#### Maintenance condition

We recommend to switch on the maintenance condition each time the sensor is taken out of the measuring position. This avoids unwanted reactions of linked outputs. More information on the maintenance condition is given in the relevant IQ SENSOR NET system operating manual.

#### VARiON<sup>®</sup>/Epack

The VARiON<sup>®</sup>/Epack set with usual replacement parts is available for maintenance (see chapter 7 REPLACEMENT PARTS AND ACCESSORIES).

#### Maintenance and calibration case, VARiON<sup>®</sup> Case

For adjustment, calibration and maintenance activities on site, the VARiON<sup>®</sup> Case is available. The convenient case provides room for all required accessories (details, see next page).

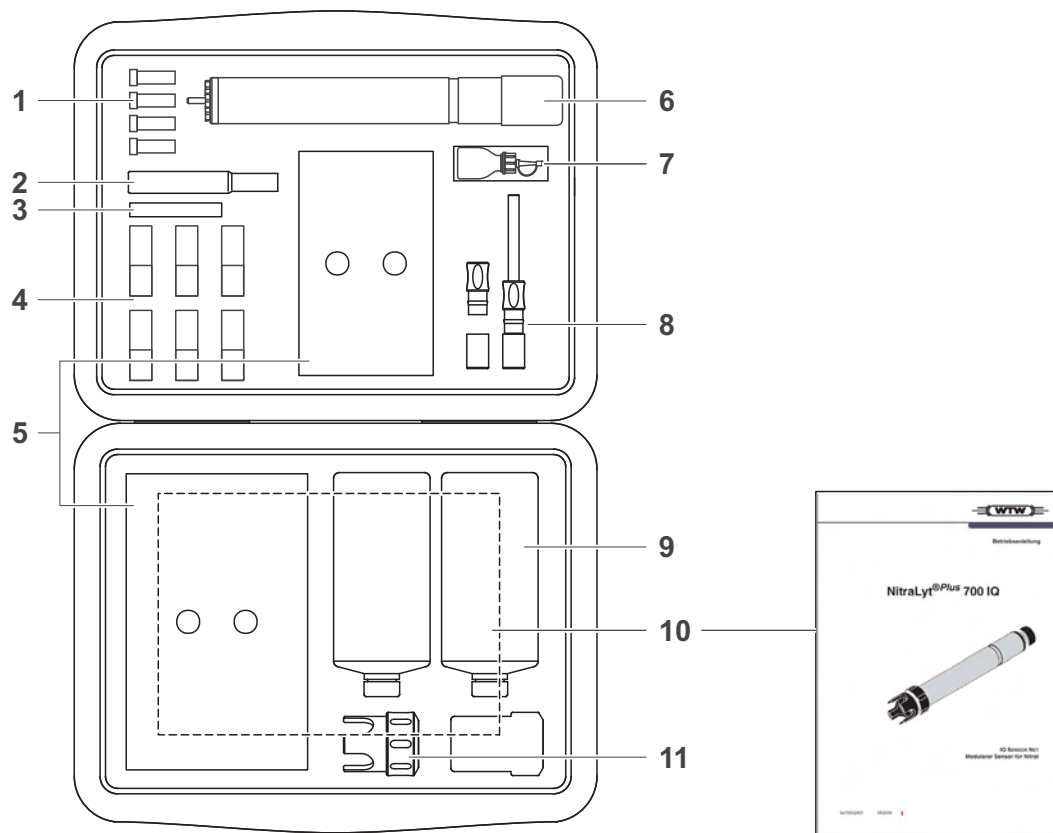


Fig. 6-1 Sample equipment of the VARiON® Case calibration and maintenance case

<b>1</b>	Blind plug
<b>2</b>	Special socket wrench
<b>3</b>	Polishing strip
<b>4</b>	Replacement electrodes with watering caps
<b>5</b>	Compartments for various accessories (wiping cloths, sample bottles, personal protective equipment etc.)
<b>6</b>	Recess for sensor
<b>7</b>	Storing solution for reference electrode
<b>8</b>	Replacement reference electrode with storing aids
<b>9</b>	Calibration standards
<b>10</b>	Operating manual
<b>11</b>	Protective hood

## 6.2 Exterior cleaning



### Note

To keep the electrodes clean, we recommend to use the CH cleaning head (see chapter 7 REPLACEMENT PARTS AND ACCESSORIES).

With normal operation (e.g. municipal wastewater) we strongly recommend to clean the outside of the sensor and calibrate:

- when it is strongly contaminated (after visual check)
- if erroneous measured values are suspected
- each time before removing or exchanging an electrode



### Caution

**Do not use any detergents for cleaning. Detergent residues can seriously affect the function of the electrodes.**



### Note

We recommend to clean the sensor shaft and electrodes while the sensor is still connected to the sensor connection cable. Otherwise, moisture and/or dirt can get into the plug connection where it can cause contact problems.

If you would like to disconnect the sensor from the sensor connection cable, please note the following points:

- Before disconnecting the sensor from the SACIQ sensor connection cable, remove any larger pieces of contamination from the sensor, particularly in the area of the plug connection (brush it off in a bucket of tap water, wash it off with a hose or wipe it off with a cloth).
- Unscrew the sensor from the SACIQ sensor connection cable.
- Always place a protective cap on the plug head of the sensor and on the SACIQ sensor connection cable so that no moisture or dirt can get into the contacting surfaces.
- In corrosive environments, close the socket of the sensor connection cable with the screwable SACIQ-Plug when it is dry in order to protect the electrical contacts from corrosion. The protective plug is available as an accessory (see section 7.2 GENERAL ACCESSORIES).

### Cleaning the sensor

Clean the sensor shaft with tap water and a soft sponge or brush. Remove the protective hood. The electrodes are best cleaned under running tap water using a soft toothbrush or brush.

**Cleaning the coupling ring of the protective hood**

The coupling ring can be unscrewed and dismantled for cleaning as follows:

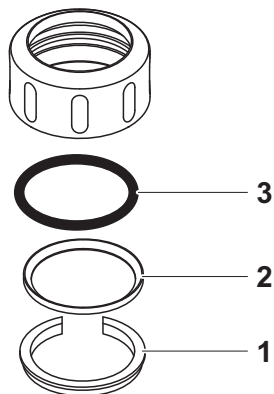


Fig. 6-2 Dismantling the coupling ring

- |   |  |
|---|--|
| 1 | Remove the retaining ring (pos. 1 in Fig. 6-2).                  |
| 2 | Remove the intermediate ring (pos. 2) and sealing ring (pos. 3). |

After the parts have been cleaned, reassemble the coupling ring in reverse order. When doing so make sure that the tapered side of the intermediate ring (pos. 2) points towards the sealing ring (pos. 3).

### 6.3 Exchanging the electrodes




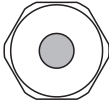

**Caution**

The sensor can be damaged by dirt and moisture. Each time before dismantling an electrode carefully clean the area around the electrodes (section 6.2). Before mounting an electrode make sure the area behind the sealing ring of the electrode and the receptacle are dry and clean. The NitraLyt<sup>®Plus</sup> 700 IQ may only be submersed when the electrodes or original blind plugs are mounted.

Use the special socket wrench provided to dismantle an electrode. Electrodes are installed as described in section 3.4.1 EQUIPPING THE SENSOR WITH ELECTRODES.

**Recognizing the electrode type from outside**

When mounted, the electrodes can be recognized by the following features:

Electrode	Hexagon	Front surface	Other features
VARiON <sup>®</sup> Ref 	black	black	– Thread at the hexagon
VARiON <sup>®Plus</sup> NO3 	white	white	– Labelling with electrode type
VARiON <sup>®Plus</sup> Cl 	black	black	– Larger membrane – Membrane flush with the front surface



**Note**

For the correct storage of the electrodes please follow the instructions in section 3.3 NOTES ON THE HANDLING OF THE ELECTRODES.

## 6.4 Polishing the chloride electrode

Caused by the test medium, a coating can develop on the surface of the chloride electrode, which reduces the electrode slope. To maintain a proper chloride compensation the surface must be renewed by polishing at regular intervals.



### Caution

**Danger of damaging the electrode. Exclusively use the SF 300 polishing strip. Never use commercial sandpaper or similar.**

The polishing can be done while the electrode is mounted (remove the protective hood as necessary). To polish the electrode, use the SF 300 polishing strip provided with the electrode. Moisten the rough side of the polishing strip with water and polish off any coatings under slight pressure.

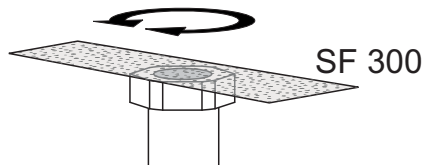


Fig. 6-3 Polishing the chloride electrode

## 7 Replacement parts and accessories

### 7.1 Electrodes

Exchange electrodes	Description	Model	Order no.
	Reference electrode	VARiON® Ref	107042Y
	Nitrate electrode	VARiON®Plus NO3	107045Y
	Chloride electrode	VARiON®Plus Cl	107047Y

Storing equipment	Description	Model	Order no.
	250 ml potassium chloride solution for the storage of the electrode	KCl-250	109705Y

### 7.2 General accessories

Standard solutions for calibration	Description	Model	Order no.
	1 liter combination standard 1 (low concentration)	VARiON®/ES-1	107050Y
	1 liter combination standard 2 (high concentration)	VARiON®/ES-2	107052Y

Maintenance equipment	Description	Model	Order no.
	Polishing strip	SF 300	203680Y

Protective plugs	Description	Model	Order no.
	Screwable plug for sensor connection cable	SACIQ-Plug	480065Y

**General replacement parts**

Description	Model	Order no.
Protective hood	VARiON <sup>®</sup> 700 IQ-SK	107056Y
Replacement parts set, comprising <ul style="list-style-type: none"> <li>– 1 blind plug for receptacle</li> <li>– 1 special socket wrench</li> <li>– 3 replacement sealing rings for electrodes/blind plugs</li> <li>– Storing equipment for electrodes: <ul style="list-style-type: none"> <li>1 nut (transparent),</li> <li>1 watering cap with sponge</li> <li>1 nut (black)</li> <li>1 watering cap (without sponge) for reference electrode</li> </ul> </li> </ul>	VARiON <sup>®</sup> /Epack	107057Y

**Calibration and maintenance case**

Description	Model	Order no.
Empty case for the storage of calibration and maintenance equipment for the Nitralyt <sup>®Plus</sup> 700 IQ	VARiON <sup>®</sup> Case	107058Y

**Components for cleaning system**

Description	Model	Order no.
Cleaning head	CH	900107Y
Passive valve module	DIQ/CHV	472007Y
Active valve module (does not require a free relay output in the IQ SENSOR NET system)	MIQ/CHV PLUS	480018Y
Air compressor for supply of the sensor cleaning system with compressed air	Cleaning Air Box 115 VAC 230 VAC	480017Y 480019Y

**Note**

Information on other IQ SENSOR NET accessories is given in the YSI catalog and on the Internet.



## 8 What to do if ...

### 8.1 Interpretation of the drift voltage

The drift voltage is influenced by the potential levels of the measurement electrode and reference electrode. If the potential levels shift, e.g. caused by aging, both parts can move into the same direction or into opposite directions. The comparison of the drift voltages of two or three combination electrodes enables to draw conclusions concerning the state of individual electrodes if a matrix adjustment or calibration resulted in an invalid or considerably deviating drift voltage.

#### Assessment aids

View the calibration history of the combination electrodes. In the following cases, assessment is relatively easy:

- If the drift voltages of all combination electrodes show the same trend, i. e. the drift voltages have shifted in the same direction (positive or negative) by approximately the same amount, this indicates that the potential level of the reference electrode has shifted. The reference electrode is possibly highly contaminated or at the end of its service life.
- If the drift voltages of all combination electrodes do not show a trend but shift by different amounts into different directions, the potential level of the reference electrode has not changed considerably. The invalid drift voltage is probably caused by a defective measuring electrode. The measuring electrode is possibly highly contaminated or at the end of its service life.

## 8.2 Error causes and remedies

### No measured value display

Cause	Remedy
– Sensor not connected	– Connect the sensor
– Incorrect electrode equipment	– Correct electrode equipment
– Electrode(s) not at all or incorrectly recognized by the system	<ul style="list-style-type: none"> <li>– Check the installation and contacts of the electrode (gap-free mounting)</li> <li>– Check electrode receptacle for moisture</li> <li>– If necessary, unscrew the electrode/blind plug and thoroughly dry the electrode/blind plug and receptacle</li> </ul>
– Unknown	– Look for error messages in the log book
– Liquid in the sensor shaft	– Sensor defective, send it back

### Measurement provides implausible measured values

Cause	Remedy
– No matrix adjustment or calibration carried out	– Adjust or calibrate the electrode
– Adjustment or calibration error (e.g. incorrect lab values, contaminated standard solutions)	<ul style="list-style-type: none"> <li>– Check the adjustment or calibration conditions</li> <li>– Readjust or recalibrate the electrode</li> </ul>
– Manual chloride compensation works with an unsuitable value	– Determine and enter the chloride concentration once again, then recalibrate
– Electrode(s) not at all or incorrectly recognized by the system	<ul style="list-style-type: none"> <li>– Check the installation and contacts of the electrode (gap-free mounting)</li> <li>– Check electrode receptacle for moisture</li> <li>– If necessary, unscrew the electrode/blind plug and thoroughly dry the electrode/blind plug and receptacle</li> </ul>

**Measurement provides jumping, unstable or drifting values**

Cause	Remedy
– Electrode contaminated	– Clean the electrode (see section 6.2)
– Liquid in the sensor shaft	– Sensor defective, send it back

Cause	Remedy
– Measurement / compensation electrode: Electrode membrane not moistened by measuring solution, e.g. due to air in front of the membrane	– Moisten membrane with deionized water using a wash bottle. To do so, position the opening of the wash bottle on the membrane and splash against the membrane vigorously
– Measurement / compensation electrode: Air bubble behind the membrane	– Hold the electrode in a vertical position with the membrane down and knock it on the side with the special socket wrench
– Measurement electrode / compensation and reference electrode: Insufficient electrical contact in the electrode receptacle	<ul style="list-style-type: none"> <li>– Check the installation and contacts of the electrode (gap-free mounting)</li> <li>– Check electrode receptacle for moisture</li> <li>– If necessary, unscrew the electrode/blind plug and thoroughly dry the electrode/blind plug and receptacle</li> </ul>
– Reference electrode dried up	– Replace reference electrode
– Measurement / compensation electrode or reference electrode leaky or damaged	– Replace defective electrode
– Liquid in the sensor shaft	– Sensor defective, send it back

**Faulty result of the matrix adjustment**

<b>Cause</b>	<b>Remedy</b>
<ul style="list-style-type: none"><li>– Error during procedure, e.g. incorrect lab values</li></ul>	<ul style="list-style-type: none"><li>– Check the basic conditions</li><li>– Follow the practical notes on page 4-4 or in the <i>online help</i></li><li>– Recalibrate the electrode</li></ul>
<ul style="list-style-type: none"><li>– Electrode not sufficiently adapted (conditioned) to test sample</li></ul>	<ul style="list-style-type: none"><li>– Switch to mV mode and observe measured value</li><li>– When measured value stable, repeat matrix adjustment</li></ul>
<ul style="list-style-type: none"><li>– Reference electrode or measurement electrode defective due to aging (see section 8.1)</li></ul>	<ul style="list-style-type: none"><li>– Replace defective electrode</li></ul>

**Faulty result of calibration**

<b>Cause</b>	<b>Remedy</b>
<ul style="list-style-type: none"><li>– Error during procedure, e.g. contaminated standard solutions</li></ul>	<ul style="list-style-type: none"><li>– Check the basic conditions</li><li>– Follow the practical notes on page 4-10 or in the <i>online help</i></li><li>– Recalibrate the electrode</li></ul>
<ul style="list-style-type: none"><li>– Reference electrode or measurement electrode defective due to aging (see section 8.1)</li></ul>	<ul style="list-style-type: none"><li>– Replace defective electrode</li></ul>

## 9 Technical data

### 9.1 Measuring characteristics

#### Measuring principle

Potentiometric measurement by means of ion sensitive electrodes. Modular structure with jointly used reference electrode and ion sensitive electrodes. Integrated microprocessor electronics, screened 2-wire connection for power and data transmission.

#### Measured parameters

Main measured parameter	Nitrat
Secondary measured parameter	Temperature
Compensation parameter	Chloride (depending on the electrode equipment)

#### Measuring ranges and resolution, Nitrate measurement

Measuring mode	Measuring range	Resolution
NO <sub>3</sub> -N	0.1 ... 100.0 mg/l 1 ... 1000 mg/l	0.1 mg/l 1 mg/l
NO <sub>3</sub>	0.5 ... 450.0 mg/l 5 ... 4500 mg/l	0.5 mg/l 5 mg/l
mV	-2000 ... +2000 mV	1 mV

#### Measuring ranges and resolution, Chloride measurement

Measuring mode	Measuring range	Resolution
Cl	1 ... 1000 mg/l	1 mg/l
mV	-2000 ... +2000 mV	1 mV

#### Selectable procedures for interfering ions compensation

Compensation procedures	Description
Automatic	up to 1000 mg/l chloride when equipped with chloride selective compensation electrode
Manual	without chloride selective compensation electrode by manual entry of the chloride concentration (range 1 ... 1000 mg/l).

#### Temperature measurement

Sensing element type	integrated NTC
Measuring range	- 5 °C ... + 60 °C (23 ... 140 °F)
Accuracy	± 0.5 K
Resolution	0.1 K
Response time t <sub>95</sub>	< 20 s

**Temperature compensation** automatic in the range 0 °C ... 40 °C (32 ... 104 °F)

**9.2 Application conditions**

<b>Allowed temperature range</b>	Measuring medium	0 °C ... 40 °C (32 ... 104 °F)
	Storage/transport	0 °C ... 40 °C (32 ... 104 °F)

**Allowed pH range of the measuring medium** 4 ... 12

**Pressure resistance** Sensor with the electrodes or blind plugs screwed in and the SACIQ sensor connection cable connected:

Max. allowed overpressure	2 x 10 <sup>4</sup> Pa (0.2 bar)
---------------------------	----------------------------------

**Type of protection** Sensor with the electrodes or blind plugs screwed in and the SACIQ sensor connection cable connected:  
IP 68, 0.2 bar (2 x 10<sup>4</sup> Pa)

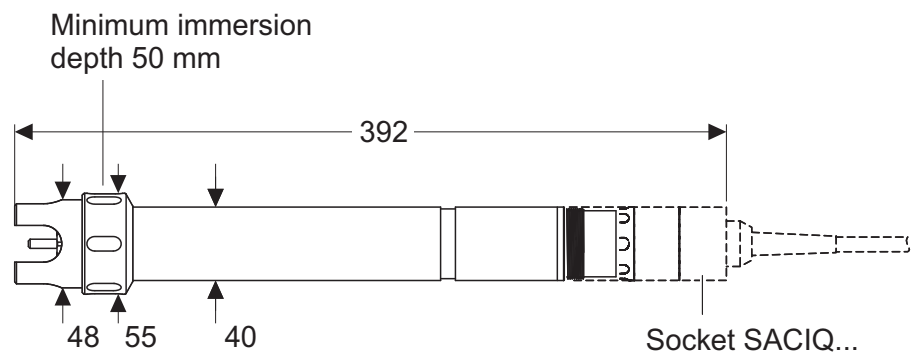
**Depth of immersion** min. 50 mm; max. 2 m depth

**Operating position** Electrode support pointing downward (maximum angle to the plumb line = 60 °)

- Fields of application**
- Control / monitoring in the aeration tank of a waste water treatment plant
  - Water and waste water monitoring

**9.3 General data**

**Dimensions**



**Weight (without sensor connection cable)** approx. 670 g with protective hood

**Connection technique** Connection via SACIQ sensor connection cable

<b>Material</b>		
Shaft		V4A stainless steel 1.4571
Protective hood		POM
Electrode support		POM
Temperature probe		V4A stainless steel 1.4571
Plug head connector housing		POM
Plug, 3-pole		ETFE (blue) Tefzel <sup>®</sup>
Electrodes		see section 9.5
<b>Instrument safety</b>	Applicable norms	<ul style="list-style-type: none"> <li>– EN 61010-1</li> <li>– UL 3111-1</li> <li>– CAN/CSA C22.2 No. 1010.1</li> </ul>

#### 9.4 Electrical data

Nominal voltage	max. 24 VDC via the IQ SENSOR NET (details see chapter TECHNICAL DATA of the IQ SENSOR NET system operating manual)
Power consumption	0.2 W
Protective class	III

## 9.5 Data of the VARiON<sup>®Plus</sup> electrodes

### 9.5.1 Response times

	VARiON <sup>®Plus</sup> NO3	VARiON <sup>®Plus</sup> Cl
Response time $t_{90}$	< 3 min	< 3 min
Measured at 20 °C (68 °F) and a concentration change of ...	5 to 50 mg/l NO3-N	10 to 100 mg/l Cl

### 9.5.2 Materials

	VARiON <sup>®Plus</sup> NO3	VARiON <sup>®Plus</sup> Cl	VARiON <sup>®</sup> Ref
<i>Electrodes</i>			
Housing	POM	PVC	PVC
Clamping ring	POM	-	-
Membrane	soft PVC with stainless steel protective grating	ISE element (solid body) in epoxy	-
Junction	-	-	Porous PVDF
Sealing ring	FPM (Viton <sup>®</sup> )	FPM (Viton <sup>®</sup> )	FPM (Viton <sup>®</sup> )
Connection contacts	gold-plated	gold-plated	gold-plated

#### *Storing equipment*

Watering cap	POM	POM	POM
Nut	PMMA	PMMA	POM

### 9.5.3 Weights

VARiON <sup>®Plus</sup> NO3	VARiON <sup>®Plus</sup> Cl	VARiON <sup>®</sup> Ref
5 g	5 g	13 g



## 10 Contact Information

### 10.1 Ordering & Technical Support

Telephone: (800) 897-4151  
(937) 767-7241  
Monday through Friday, 8:00 AM to 5:00 PM ET

Fax: (937) 767-1058

Email: [environmental@ysi.com](mailto:environmental@ysi.com)

Mail: YSI Incorporated  
1725 Brannum Lane  
Yellow Springs, OH 45387  
USA

Internet: [www.ysi.com](http://www.ysi.com)

When placing an order please have the following information available:

YSI account number (if available)	Name and Phone Number
Model number or brief description	Billing and shipping address
Quantity	Purchase Order or Credit Card

### 10.2 Service Information

YSI has authorized service centers throughout the United States and Internationally. For the nearest service center information, please visit [www.ysi.com](http://www.ysi.com) and click 'Support' or contact YSI Technical Support directly at 800-897-4151.

When returning a product for service, include the Product Return form with cleaning certification. The form must be completely filled out for an YSI Service Center to accept the instrument for service. The Product Return form may be downloaded at [www.ysi.com](http://www.ysi.com) and clicking on the 'Support' tab.



## 11 Indexes

### 11.1 Explanation of the messages

This chapter contains a list of all the message codes and related message texts that can occur in the log book of the IQ SENSOR NET system for the NitraLyt<sup>®Plus</sup> 700 IQ sensor.



#### Note

Information on

- the contents and structure of the log book and
- the structure of the message code

is given in the LOG BOOK chapter of the IQ SENSOR NET system operating manual.



#### Note

The last three digits of the message code identify the source of the message:

- 523 = NitraLyt+700 IQ (armature / component class, ADA adapters)
- 396 = NitraLyt+ (nitrate sensor)

#### 11.1.1 Error messages

Message code	Message text
EA1396	<i>Meas. range exceeded or undercut</i> * Check process * Select other meas. range
EA2523	<i>Sensor temperature too high!</i> * Check process and application
EA3523	<i>Sensor temperature too low!</i> * Check process and application
EAN396	<i>Chloride measurement: range exceeded or undercut</i> * Check process
EC7523	<i>Cl electrode could not be calibrated, nitrate measurement blocked, nitrate measurement possible with manual Cl compensation and Cl electrode removed</i> * Check calib. conditions and standard * View calibration history * Service sensor immediately (see operating manual)

<b>Message code</b>	<b>Message text</b>
EIA523	<i>Incorrect equipment * for correct electrode equipment see operating manual</i>
ES1523	<i>Component hardware defective * Contact service</i>

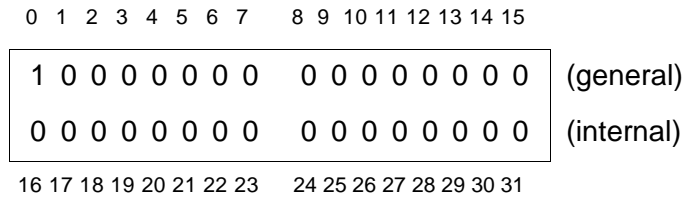
### 11.1.2 Info messages

<b>Message code</b>	<b>Message text</b>
IC4523	<i>Cl electrode has been successfully calibrated * For calibration data, see calibration history</i>
IC6396	<i>(this message contains calibration data of the chloride electrode)</i>
IC7396	<i>Sensor could not be calibrated, Measuring with old calibration values * Check calibration conditions and calibration standard * View calibration history * Service sensor immediately (see operating manual)</i>
ICA396	<i>Electrode: check successful</i>
ICC396	<i>Cl electrode: check successful</i>
ICD396	<i>Electrode: check unsuccessful Please follow online help.</i>
ICF396	<i>Cl electrode: check unsuccessful Please follow online help.</i>
IIA523	<i>(This message is generated when the electrode equipment is changed. It informs you of the new assignment of the electrode receptacles)</i>

### 11.2 Status info

The status info is a piece of coded information about the current state of a sensor. Each sensor sends this status info to the controller. The status info of sensors consists of 32 bits, each of which can have the value 0 or 1.

Status info,  
general structure



The bits 0 - 15 are reserved for general information.  
The bits 16 - 21 are reserved for internal service information.

You obtain the status info:

- via a manual query in the menu, *Einstellungen/Settings/Service/List of all components* (see system operating manual)
- via an automated query
  - of a superordinate process control (e. g. when connected to the Profibus)
  - of the IQ Data Server (see operating manual of the IQ SENSOR NET software pack)



**Note**

The evaluation of the status info, e.g. in the case of an automated query, has to be made individually for each bit.

NitraLyt<sup>®Plus</sup> 700 IQ  
Status info

Status bit	Explanation
Bit 0	Component hardware defective
Bit 1-31	-







a xylem brand

1725 Brannum Lane  
Yellow Springs, Ohio 45387 USA  
+1 937-767-7241  
800-765-4974 (US)  
FAX (937) 767-1058  
Email: [environmental@ysi.com](mailto:environmental@ysi.com)  
Internet: [www.ysi.com](http://www.ysi.com)