



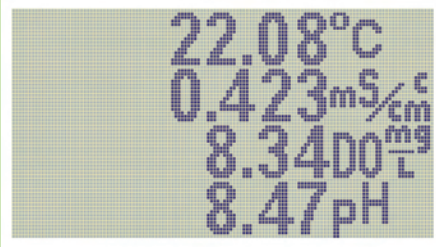
## YSI 6500 Monitoring System

Compact, multiparameter water quality system provides continuous data to improve the efficiency of operations



Pure  
Data for a  
Healthy  
Planet.®

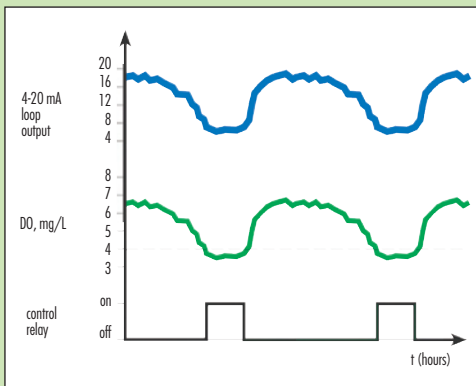
# Five ways you'll stay one step ahead



## Control the readout and mode of operation

Make the characters small and read all the parameters simultaneously. Or use larger, easy-to-read characters and view the parameters two at a time.

## Loop output for transmitting data to trigger alarms



The 4 to 20 mA loop output lets you transmit data; the control relays activate alarms and phone dialers. The graph shows the control relay being activated when the dissolved oxygen drops below 4 mg/L.

## 1. Continuously monitor DO, conductivity, temperature, pH

By providing uninterrupted data, the YSI 6500 connected to a YSI 6-Series sonde is a cost-effective alternative for water quality monitoring. Replacing multiple instruments, it reduces labor needs for both installation and operation.

## 2. Eight scalable 4-20 mA current loop channels

Monitor up to eight parameters with settable high and low limits. You can integrate the YSI 6500 with SCADA or plant control systems, and chart recorders.

## 3. Four SPDT relays

You define the setpoints for four parameters. Readings beyond your setpoints trigger alarms or phone dialers.

## 4. Choose the calibration method you prefer

With calibration data stored in the sonde and built-in software, the YSI 6500 lets you calibrate in the field and the lab.

Easily calibrate the sensors with your PC and EcoWatch<sup>®</sup> software (included) in the lab, where variables are more easily controlled and you're out of the weather.

In the field, calibrate the DO sensor in air or use a YSI portable oxygen meter (like the YSI 55) to determine calibration values; use standard solutions to calibrate the pH and conductivity probes.

In the field, you can calibrate with the YSI 6500 Monitor itself, a YSI 650 multiparameter display system, an Isco sampler or a laptop computer.

## 5. Versatile YSI 600R adds flexibility to your operation

The YSI 600R can be used independently for other applications, such as stream sampling with a YSI 650 multiparameter display system; or it can interface with an automatic sampler or flow meter.

The YSI 600R uses our Rapid Pulse<sup>™</sup> oxygen sensor (no stirring required) and the pH reference probe is replaceable.

# System Components

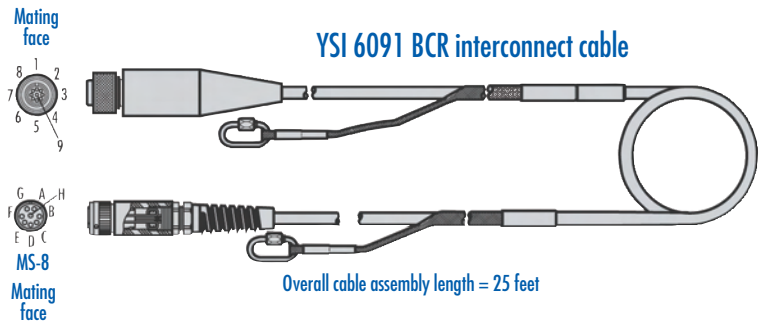
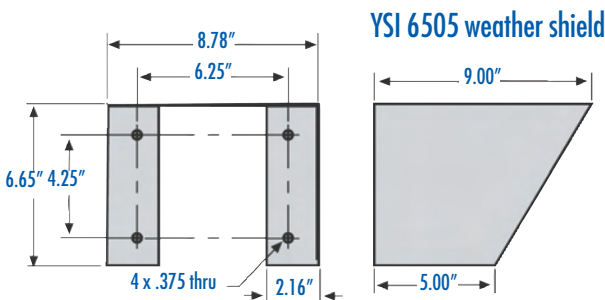
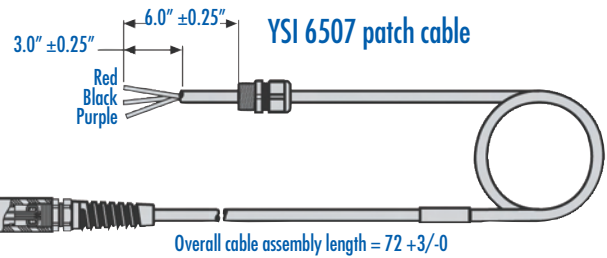
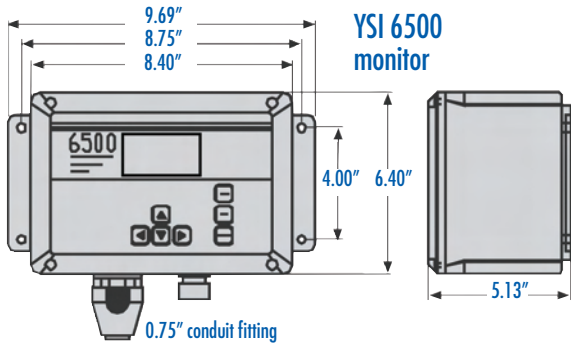
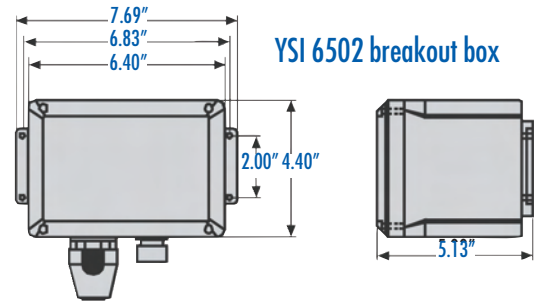
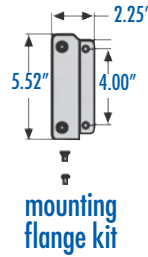
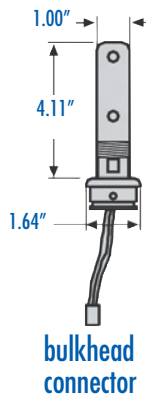
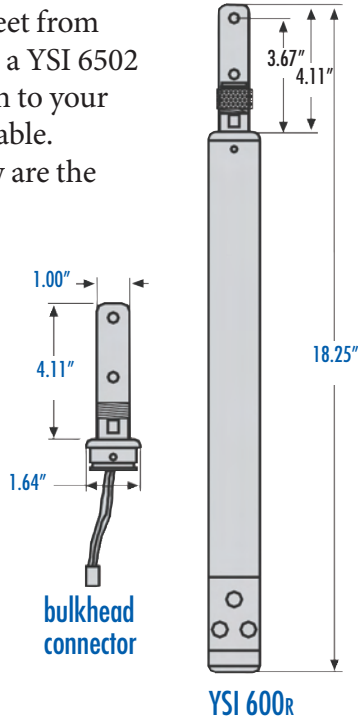
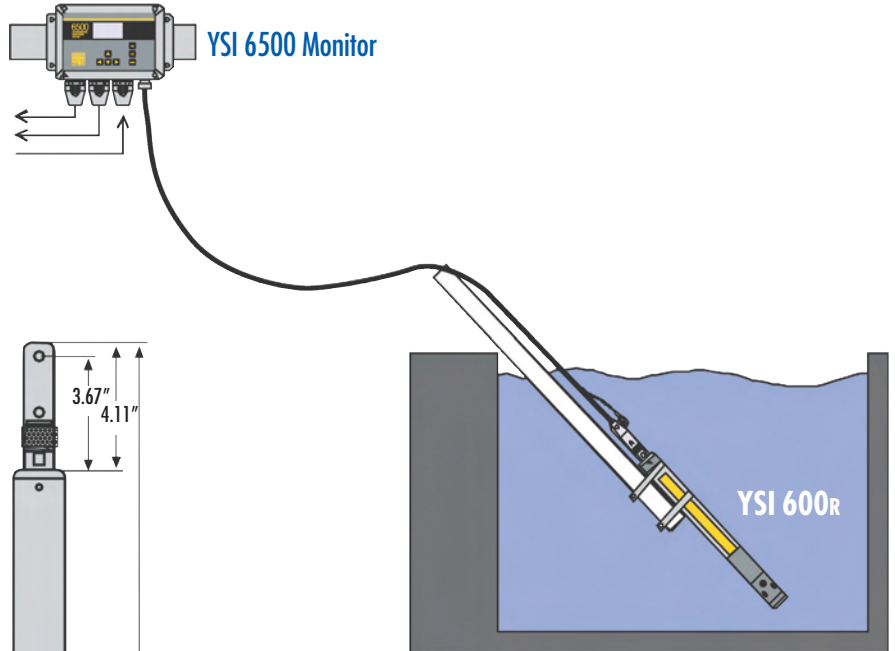
## Typical installations

The drawing at the right shows a YSI 600R sonde connected to a YSI 6500 monitor with a 25-foot YSI 6091 cable.

If you want to install the monitor more than 25 feet from the sonde, you must use a YSI 6502 breakout box in addition to your own junction box and cable.

The drawings below are the system components.

YSI 6500 Monitor





To order, or for more information, contact Endeco/YSI.

800 363 3269 (US)  
+1 508 748 0366 (Globally)  
www.ysi.com

YSI Environmental  
+1 937 767 7241  
Fax +1 937 767 9353  
environmental@ysi.com

Endeco/YSI  
+1 508 748 0366  
Fax +1 508 748 2543  
systems@ysi.com

SonTek/YSI  
+1 858 546 8327  
Fax +1 858 546 8150  
inquiry@sontek.com

YSI Gulf Coast  
+1 225 753 2650  
Fax +1 225 753 8669  
environmental@ysi.com

YSI Hydrodata (UK)  
+44 (0) 1462 673 581  
Fax +44 (0) 1462 673 582  
europe@ysi.com

YSI Middle East (Bahrain)  
+973 1753 6222  
Fax +973 1753 6333  
halsalem@ysi.com

YSI (Hong Kong) Limited  
+852 2891 8154  
Fax +852 2834 0034  
hongkong@ysi.com

YSI (China) Limited  
+86 10 5203 9675  
Fax +86 10 5203 9679  
beijing@ysi-china.com

YSI Nanotech (Japan)  
+81 44 222 0009  
Fax +81 44 221 1102  
nanotech@ysi.com

**ISO 9001**  
**ISO 14001**

Yellow Springs, Ohio Facility

EcoWatch, Pure Data for a Healthy Planet and Who's Minding the Planet? are registered trademarks of YSI Incorporated.

©2006 YSI Incorporated  
Printed in USA 1206 E26-02



YSI incorporated  
Who's Minding  
the Planet?®

## YSI 6500 Specifications

Operating Temperature	-20 to +60°C (-4 to +140°F)
Enclosure Rating	NEMA 4X
Line Power (nominal)	100 to 240 V AC, 50-60 Hz
Maximum Power Draw	45 watts
Control Relay Outputs	Rated 5 amps at 240 V AC
4 to 20 mA Loops	Class L, 0 to 300 ohms (250 ohms typical)
4 to 20 mA Output Accuracy	±0.08 mA (electrically isolated from sensors)
Electrical Safety	UL, CUL, and CE approved
Pollution Degree	II per UL3101
Installation Category	III per UL3101

## YSI 600R Sensor Specifications

	Range	Resolution	Accuracy
Dissolved Oxygen % Saturation Rapid Pulse™ Sensor	0 to 500%	0.1%	0 to 200%: ±2% of reading or 2% air saturation, whichever is greater; 200 to 500%: ±6% of reading
Dissolved Oxygen mg/L Rapid Pulse™ Sensor	0 to 50 mg/L	0.01 mg/L	0 to 20 mg/L: ±0.2 mg/L or 2% of reading, whichever is greater; 20 to 50 mg/L: ±6% of reading
Conductivity**	0 to 100 mS/cm	0.001 to 0.1 mS/cm (range dependent)	±0.5% of reading + 0.001 mS/cm
Salinity	0 to 70 ppt	0.01 ppt	±1% of reading or 0.1 ppt, whichever is greater
Temperature	-5 to +50°C	0.01°C	±0.15°C
pH	0 to 14 units	0.01 unit	±0.2 unit

## YSI 600R Sonde Specifications

Medium	Fresh, sea or polluted water	Software	EcoWatch®
Temperature	-5 to +50°C	Dimensions	Diameter 1.65 in, 4.2 cm Length 14.8 in, 37.5 cm Weight 1.10 lbs, 0.50 kg
Communications	RS-232, SDI-12	Power	External 12 V DC